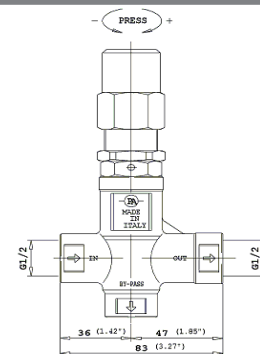
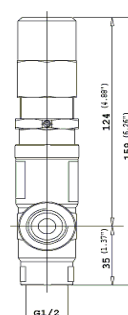
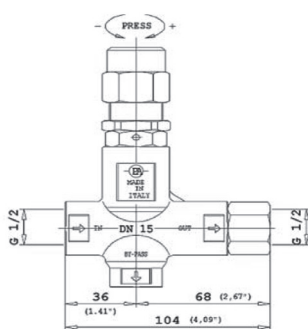
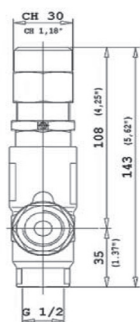


VALVOLE

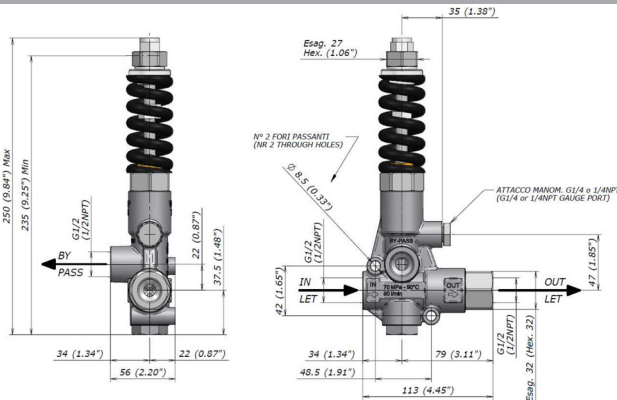


VD 80/400 - VD 80/500 - VD 80/560										
Valvole regolazione pressione in acciaio inossidabile con by-pass esterno - Stainless steel unloader valves with external by-pass										
Régulateurs de pression en acier inox séparés de la culasse - Válvulas de regulación de presión en acero inox										
CODICE CODE	Modello Model	Pressione Max Max Pressure		Portata - Flow		Attacco pompa Port size	Uscita Outlet	Scarico By-pass	Peso - Weight	
		bar	psi	l/min	GPM				Kg	lbs
08.9828.97.3	VD 80/400 (AISI 303)	400	5800	80	21	1/2 BSP - F	1/2 BSP - F	1/2 BSP - F	0.89	1.95
08.9842.97.3	VD 80/500 (AISI 303)	500	7250	80	21	1/2 BSP - F	1/2 BSP - F	1/2 BSP - F	1.23	2.7
08.9867.97.3	VD 80/560 (AISI 303)	560	8120	80	21	1/2 BSP - F	1/2 BSP - F	1/2 BSP - F	0.84	1.85

Temperatura max: 90°C - 195°F - Max temperature: 90°C - 195°F - Température maxi: 90°C - 195°F - Temperatura máx: 90°C - 195°F



VRP 750										
CODICE CODE	Modello Model	Pressione Max Max Pressure		Portata - Flow		Attacco pompa Port size	Uscita Outlet	Scarico By-pass	Peso - Weight	
		bar	psi	l/min	GPM				Kg	lbs
74.1050.97.3	VRP 750	700	10150	80	21	1/2" BSP - F	1/2" BSP - F	1/2" BSP - F	2,1	10,3



VS 1500										
Valvole di massima pressione - Pressure relief valves - Régulateur de pression - Válvulas de presión										
CODICE CODE	Modello Model	Pressione Max Max Pressure		Portata - Flow		Attacco pompa Port size	Uscita Outlet	Scarico By-pass	Peso - Weight	
		bar	psi	l/min	GPM				Kg	lbs
73.9832.97.3	VS 1500	105	1500	220	58	3/4 BSP - M	---	1" BSP - M	1.62	3.5

Temperatura max: 60°C - 140°F - Max temperature: 60°C - 140°F - Température maxi: 60°C - 140°F - Temperatura máx: 60°C - 140°F

