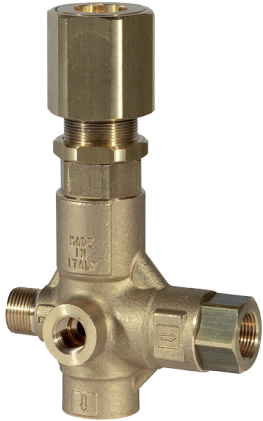


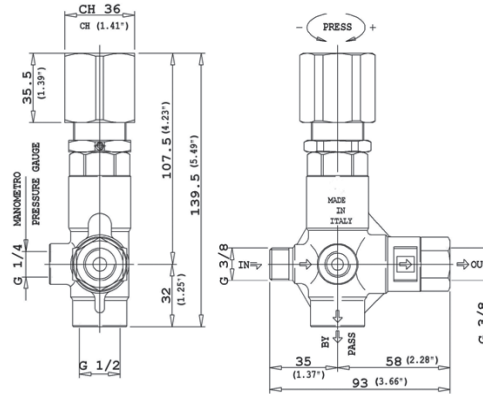
VALVOLE

VALVOLE REGOLAZIONE PRESSIONE CON BY-PASS ESTERNO
 UNLOADER VALVES WITH EXTERNAL BY-PASS
 RÉGULATEURS DE PRESSION SÉPARÉS DE LA CULASSE
 VÁLVULAS DE REGULACIÓN DE PRESIÓN

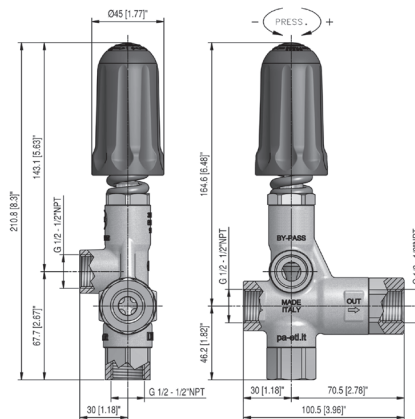
TEMPERATURA MAX: 60°C - 140°F
 MAX TEMPERATURE: 60°C - 140°F
 TEMPÉRATURE MAXI: 60°C - 140°F
 TEMPERATURA MÁX: 60°C - 140°F



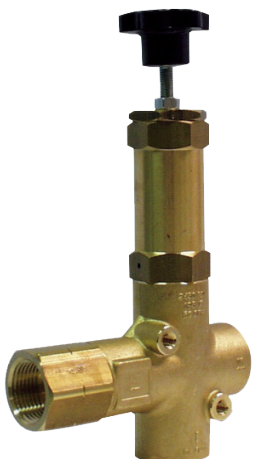
		VD 25/350								
CODICE CODE	Modello Model	Pressione Max Max Pressure		Portata - Flow		Attacco pompa Port size	Uscita Outlet	Scarico By-pass	Peso - Weight	
		bar	psi	l/min	GPM				Kg	lbs
06.9818.97.3	VD 25/350	350	5100	25	6.5	3/8 BSP - M	3/8 BSP - F	3/8 BSP - F	0.86	1.9



		VD 85/280								
CODICE CODE	Modello Model	Pressione Max Max Pressure		Portata - Flow		Attacco pompa Port size	Uscita Outlet	Scarico By-pass	Peso - Weight	
		bar	psi	l/min	GPM				Kg	lbs
06.9819.97.3	VD 85/280	280	4000	80	21	1/2 BSP - F	1/2 BSP - F	1/2 BSP - F	1.19	2.6



Valvola depressurizzatrice
 Unloader Valve
 Régulateur de pression
 Válvula de regulación presión



		VD 200/150								
CODICE CODE	Modello Model	Pressione Max Max Pressure		Portata - Flow		Attacco pompa Port size	Uscita Outlet	Scarico By-pass	Peso - Weight	
		bar	psi	l/min	GPM				Kg	lbs
73.9831.97.3	VD 200/150	150	2200	200	53	1"Npt - F	1"Npt - F	1"Npt - F	2.06	4.5
73.9903.97.3	VD 200/150	150	2200	200	53	1"BSP - F	1"BSP - F	1"BSP - F	2.06	4.5

