



**POMPE CON
MOTORE
OLEODINAMICO**

**PUMPS WITH
HYDRAULIC
MOTOR**

**BOMBAS
CON MOTOR
HIDRAULICO**

**HYDRAULIC
PUMPS**

Indice pompe
Index of pumps
Indice de bombas

IDB 1100	22
IDB 1104	23
IDB 1600	23
KHY 5016	30
PA 330	17
PA 430	17
PA 440	18
PA 530	18
PA 730	19
PA/S 830	19
PA/S 930	20
PBO 1250	21
PBO 1540	21
POLY 2020	6
POLY 2030	7
POLY 2073	8
POLY 2085	8
POLY 2105	9
POLY 2120	9
POLY 2150	10
POLY 2180	10
POLY 2210	11
POLY 2240	11
POLY 2260	12
POLY 2300	12
POLY 2450	13
POLY 2500	13
POLY 550	7
PPS 100	15
PPS 1212	15
PPS 1615	16
PPS 550	14
PPS 750	14
RHY 7515	31
THY 2715	29
TTHY 2330	30
WHY 1520	29

Indice dei codici - Index of codes - Índice de códigos

Cod.	Pag.	Cod.	Pag.	Cod.	Pag.	Cod.	Pag.
02.6195.97.3	27	23.7517.97.3	3	31.9212.97.3	32	55.6025.97.3DS	3
02.6196.97.3	29	23.8017.97.3	18	31.9213.97.3	32	55.7002.97.3DS	3
03.6020.97.3	3	23.8018.97.3	19	31.9214.97.3	32	55.7007.97.3DS	3
03.7014.97.3	3	23.8019.97.3	19	31.9215.97.3	32	55.7013.97.3DS	11
03.7026.97.3	3	23.8020.97.3	20	31.9216.97.3	32	55.7014.97.3DS	11
03.8102.97.3	17	24.3014.97.3	24	31.9217.97.3	32	62.6055.97.3DS	3
03.8103.97.3	17	24.3016.97.3	24	31.9223.97.3	26	62.6059.97.3DS	3
03.8104.97.3	18	24.3018.97.3	24	32.1074.97.3	24	62.6130.97.3DS	3
06.2100.97.3	27	24.3020.97.3	24	32.1075.97.3	24	62.6136.97.3DS	3
06.2101.97.3	30	24.3040.97.3	24	32.1103.97.3	25	62.8006.97.3DS	9
06.2110.97.3	27	24.3050.97.3	24	32.1104.97.3	25	62.8007.97.3DS	10
06.2111.97.3	30	24.3110.97.3	24	32.1200.97.3	26	63.4005.97.3FD	3
06.9818.97.3	32	24.3111.97.3	24	32.1201.97.3	26	63.4006.97.3DS	3
07.3090.97.3	27	24.3112.97.3	24	32.1202.97.3	26	63.4052.97.3	3
07.3091.97.3	29	24.3113.97.3	24	32.1203.97.3	26	63.5263.97.3DS	3
08.1150.97.3	27	24.3114.97.3	24	32.1204.97.3	26	63.5265.97.3DS	3
08.1151.97.3	31	24.3115.97.3	24	32.1208.97.3	26	63.8005.97.3	8
08.9832.97.3	32	24.3200.97.3	24	32.1209.97.3	26	63.8007.97.3DS	8
14.6031.97.3DS	3	24.3201.97.3	24	32.1210.97.3	26	63.8008.97.3	9
14.6033.97.3DS	12	28.9267.97.3DS	3	32.1211.97.3	26	82.8498.00.2	24
14.6041.97.3DS	3	28.9279.97.3DS	10	32.1212.97.3	26	83.2280.00.2	5
14.6066.97.3DS	3	28.9281.97.3DS	3	32.1213.97.3	26	83.2281.00.2	5
14.6068.97.3DS	3	31.1761.97.3	26	32.1214.97.3	26	83.2282.00.2	5
14.6070.97.3DS	12	31.1762.97.3	26	36.5007.97.3	3	83.2290.00.2	5
15.0151.97.3	3	31.8748.97.3	26	36.7007.97.3	3	83.2291.00.2	5
15.0152.97.3	3	31.8749.97.3	26	36.7050.97.3	23	83.2292.00.2	5
15.1071.97.3	13	31.8895.97.3	26	36.7051.97.3	15	83.2349.00.2	28
15.1072.97.3	13	31.8899.97.3	26	37.5115.97.3	3	83.2380.00.2	28
15.1073.97.3	13	31.8904.97.3	26	37.5500.97.3	21	83.2381.00.2	28
22.1004.97.3	3	31.8910.97.3	26	39.1004.97.3	3	83.4402.00.2	5
22.1007.97.3	3	31.8914.97.3	26	39.2000.97.3	15	86.1670.00.2	32
22.1057.97.3	3	31.8943.97.3	25	40.1055.97.3	3	86.1676.00.2	32
22.2004.97.3	3	31.8944.97.3	25	40.2000.97.3	16	86.1779.00.2	32
22.2007.97.3	3	31.8957.97.A	26	41.7119.97.3	3	94.7466.97.3DS	7
22.2101.97.3	7	31.8958.97.3	25	41.7130.97.3	21	94.8541.97.ADS	6
22.2101.97.3	14	31.8967.97.3	26	48.5011.97.3	3		
22.2102.97.3	14	31.9120.97.3	26	48.7000.97.3	22		
23.6034.97.3	3	31.9121.97.3	26	49.6011.97.3	3		
23.7033.97.3	3	31.9125.97.3	25	49.6050.97.3	23		
23.7358.97.3	3	31.9211.97.3	32	55.6015.97.3DS	3		

Per rispondere a tutte le esigenze di mercato, Idromeccanica Bertolini ha ampliato la gamma delle sue famose pompe a membrana aggiungendo ulteriori modelli specifici per attacco ad un motore oleodinamico e tutta una serie di gruppi pompa, già assemblati con motore idraulico, progettati per una resa ottimale.

To meet all market needs, Idromeccanica Bertolini has expanded the range of its famous diaphragm pumps adding further specific models for connection to hydraulic motor and a whole series of pump units, already fitted with hydraulic motor, designed for optimal performance.

Para satisfacer todas las necesidades del mercado, Idromeccanica Bertolini ha ampliado la gama de sus famosas bombas de membrana añadiendo más modelos específicos para la conexión a un motor hidráulico y toda una serie de grupos motobomba, ya montados con motor hidráulico, diseñados para un rendimiento óptimo.



Modelli specifici per attacco a motore oleodinamico - Specific models for connection to a hydraulic motor Modelos específicos para acoplamiento de motor hidráulico

POLY			PPS		
Mod.	Cod.	Motore* Motor*	Mod.	Cod.	Motore* Motor*
POLY 550 VI	22.2007.97.3 (1") 22.2004.97.3 (25mm)	2	PPS 550 VI	22.1007.97.3 (1") 22.1004.97.3 (25mm)	2
POLY 2073 VI	63.5263.97.3DS (1") 63.5265.97.3DS (25mm)		PPS 750 VI	22.1057.97.3 (1") 22.1054.97.3 (25mm)	3
POLY 2085 VI	63.4005.97.3FD (1") 63.4006.97.3DS (25mm)		PPS 100 VC	36.5007.97.3 (25mm)	4
POLY 2105 VI	63.4052.97.3 (25mm)		PPS 1212 VC	39.1004.97.3 (32mm)	5
POLY 2120 VC	62.6055.97.3DS (1") 62.6059.97.3DS (25mm)		PPS 1615 VC	40.1055.97.3 (32mm)	6
POLY 2150 VC	62.6140.97.3DS (1") 62.6146.97.3DS (25mm)		PA - PA/S		
POLY 2180 VC	28.9267.97.3DS (1") 28.9281.97.3DS (25mm)		2	PA 330 VI	03.6020.97.3 (25mm)
POLY 2210 VC	55.6015.97.3DS (1") 55.6025.97.3DS (25mm)			PA 430 VI	03.7014.97.3 (25mm)
POLY 2240 VC	55.7002.97.3DS (1") 55.7007.97.3DS (25mm)			PA 440 VI	03.7026.97.3 (25mm)
POLY 2260 VC	14.6041.97.3DS (1") 14.6066.97.3DS (25mm)		3	PA 530 VI	23.6034.97.3 (25mm)
POLY 2300 VC	14.6031.97.3DS (1") 14.6068.97.3DS (25mm)	PA 730 VI		23.7033.97.3 (25mm)	
POLY 2450 VC	15.0155.97.3 (1") 15.0156.97.3 (32mm)	4	PA/S 830 VI	23.7358.97.3 (25mm)	
POLY 2500 VC	15.0191.97.3 (32mm)		PA/S 930 VI	23.7517.97.3 (25mm)	
			PBO - IDB		
			PBO 1250 VC	37.5115.97.3 (32mm)	6
			PBO 1540 VC	41.7119.97.3 (32mm)	
			IDB 1100 VC	48.5011.97.3 (32mm)	4
			IDB 1104 VC	36.7007.97.3 (25mm)	
			IDB 1600 VC	49.6011.97.3 (32mm)	6

* Caratteristiche e codici dei motori a pag.5
Motors characteristics and codes at page 5
Características y códigos de los motores a pag.5

Pompe in configurazione base per applicazione motore oleodinamico
VC, VI: pompe a membrana con albero cavo per il fissaggio diretto del motore al carter, al fine di contenere al massimo l'ingombro.

Pumps in standard configuration for hydraulic motor application
VC, VI: diaphragm pumps with hollow shaft for direct connection of the motor to the crankcase, in order to minimize overall dimensions.

Bombas en configuración estándar para aplicación de motor hidráulico
VC, VI: bombas de membrana con eje hueco para la conexión directa del motor al cárter, para minimizar las dimensiones totales.

GRUPPI HYD: le pompe base indicate in tabella possono essere fornite già accoppiate al motore oleodinamico, dimensionato in funzione delle prestazioni specifiche di ogni modello.
HYD GROUPS: the standard pumps indicated in the table can be supplied already coupled to the hydraulic motor, sized according to the specific performance of each model.
GRUPOS HID: las bombas estándares indicadas en la tabla se pueden suministrar ya acopladas al motor hidráulico, dimensionado según las prestaciones específicas de cada modelo.

Protezione albero scanalato inclusa.

Splined shaft protection included.

Protección eje estriado incluida.

POLY 2120 - 2150 - PBO - PPS



POLY 2180 - 2210 - 2240 - 2260

POLY 2300 - 2450 - 2500 - IDB



Pompe delle serie in versione VC o VI per accoppiamento diretto al motore, senza flangia intermedia. Ingombri ridotti.

Pumps available in VC or VI version for direct coupling to the motor, without intermediate flange. Reduced dimensions.

Bombas disponibles en versión VC o VI para acoplamiento directo al motor, sin brida intermedia. Dimensiones reducidas.

Motori dimensionati in funzione delle specifiche di funzionamento di ciascuna pompa per assicurare alti rendimenti, ridotti sprechi di potenza ed affidabilità nel tempo.

Motors sized according to the operating specifications of each pump to ensure high efficiency, reduced power waste and reliability over time.

Motores dimensionados según las especificaciones de funcionamiento de cada bomba para garantizar una alta eficiencia, un menor desperdicio de potencia y confiabilidad en el tiempo.

MEMBRANE - DIAPHRAGMS - MEMBRANAS

Pompe Pumps Bombas	POLY	PA - PBO IDB - PPS
Membrana standard Standard diaphragm Membrana estándar	Duramax	Buna-Nbr
Membrane optional Optional diaphragms Membranas opcionales	Vedi catalogo generale See master catalogue Ver catálogo general	

MOTORI IDRAULICI ORBITALI- ORBITAL HYDRAULIC MOTORS - MOTORES HYDRAULICOS ORBITALES

MOTOR TYPE
1



MOTOR TYPE
2

MOTOR TYPE
3

MOTOR TYPE
4



MOTOR TYPE
5

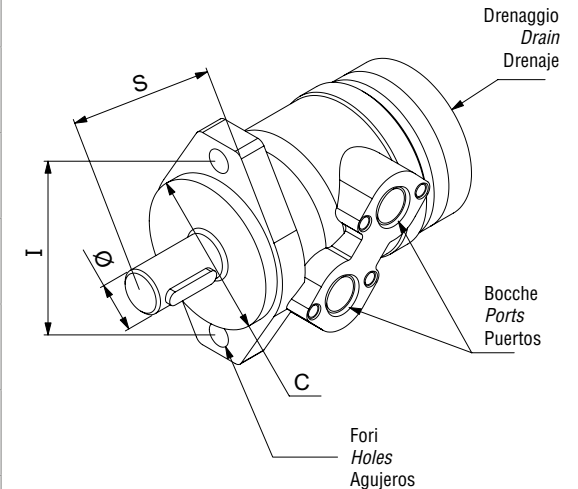
MOTOR TYPE
6

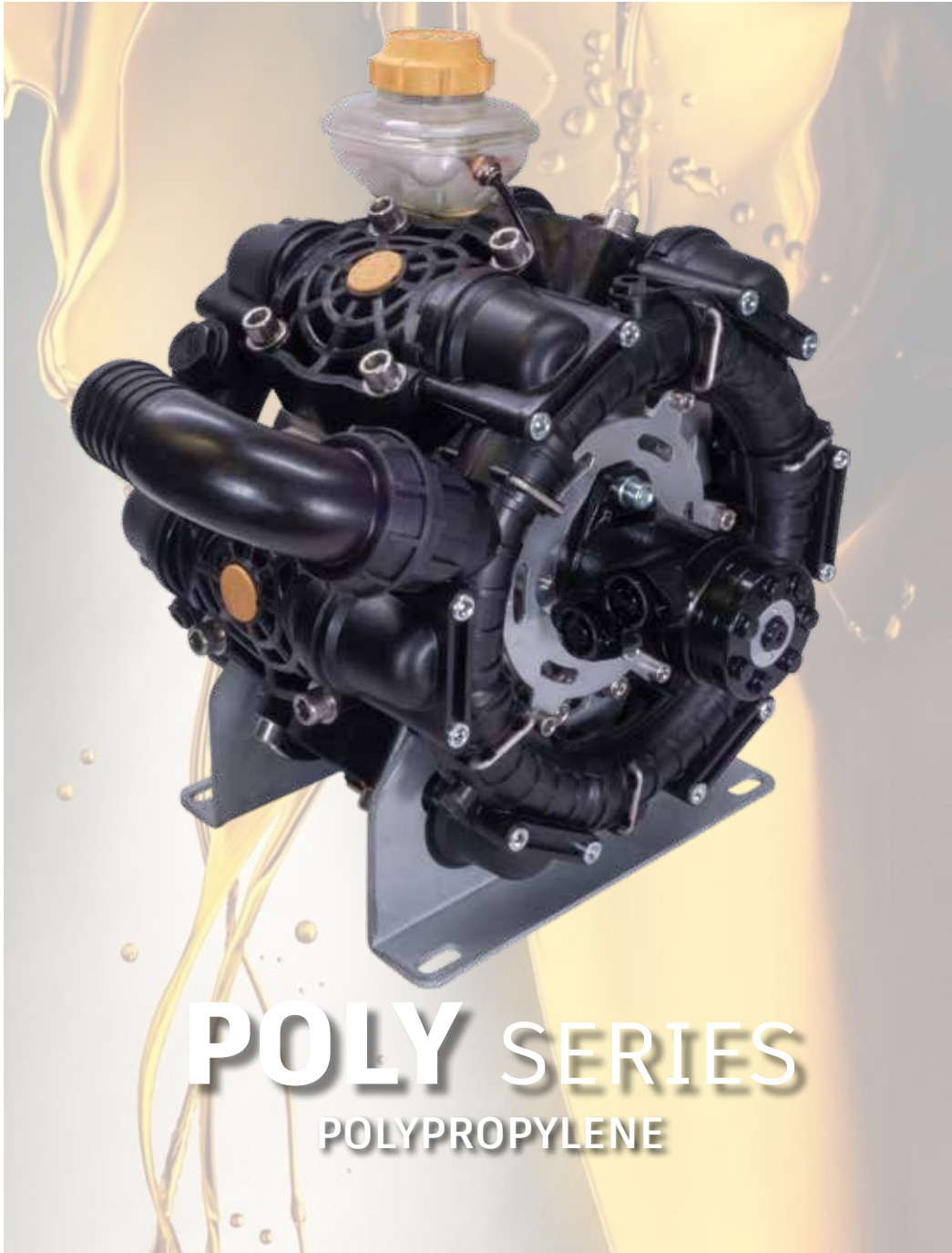
MOTOR TYPE
7



Caratteristiche motore Motor specifications Características motor	Motor type 1	Motor type 2	Motor type 3	Motor type 4	Motor type 5	Motor type 6	Motor type 7
Cod.	83.4402.00.2	83.2280.00.2	83.2281.00.2	83.2282.00.2	83.2290.00.2	83.2292.00.2	83.2291.00.2
Cilindrata Displacement Cilindrada	20 CC	50 CC	80 CC	100 CC	80 CC	125 CC	100 CC
Albero Shaft Cigüeñal	Ø 16 mm S= 33.4	Ø 25 mm S= 55.3	Ø 25 mm S= 55.3	Ø 25 mm S= 55.3	Ø 32 mm S= 66	Ø 32 mm S= 66	Ø 32 mm S= 66
Flangia Flange Brida	C=Ø63 l=80	SAE "A" C=Ø82.6 l=106.4	SAE "A" C=Ø82.6 l=106.4	SAE "A" C=Ø82.6 l=106.4	SAE "A" C=Ø82.6 l=106.4	SAE "A" C=Ø82.6 l=106.4	SAE "A" C=Ø82.6 l=106.4
Fori Holes Agujeros	Nr.2 Ø9	Nr.2 Ø13.5	Nr.2 Ø13.5	Nr.2 Ø13.5	Nr.4 Ø13.5	Nr.4 Ø13.5	Nr.4 Ø13.5
Bocche Ports Puertos	Nr.2 - 3/8" BSP	Nr.2 - 1/2" BSP	Nr.2 - 1/2" BSP	Nr.2 - 1/2" BSP	Nr.2 - 1/2" BSP	Nr.2 - 1/2" BSP	Nr.2 - 1/2" BSP
Drenaggio Drain Drenaje	Nr.1 - 1/8" BSP	Nr.1 - 1/4" BSP	Nr.1 - 1/4" BSP	Nr.1 - 1/4" BSP	Nr.1 - 1/4" BSP	Nr.1 - 1/4" BSP	Nr.1 - 1/4" BSP
Rotazione Rotation Rotación	Reversibile Reversible Reversible						

Legenda - Legend - Leyenda
S: Sporgenza - Projection - Proyección
C: Centraggio - Centering - Centrado
I: Interasse - Centers - Distancia entre ejes





POLY SERIES POLYPROPYLENE



POLY 2020

FLOW RATE
22 l/min
5.8 US GPM

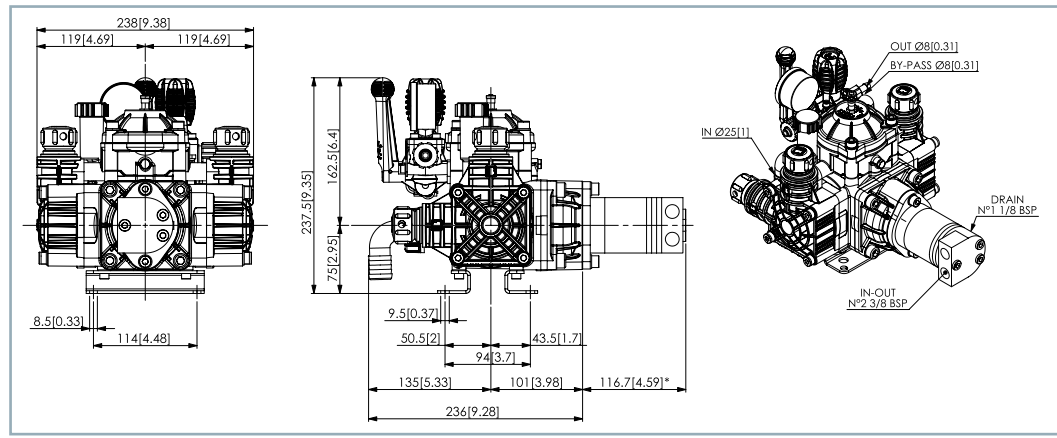
20 bar
290 PSI

Cod.
94.8541.97.ADS

MOTOR TYPE
1
PAG. 5

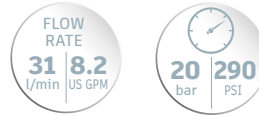
Rendimenti - Performance - Rendimientos

bar	R.P.M.		500		550		600		650		bar	bar	
	PSI	US GPM	l/min	hp	l/min	hp	l/min	hp	l/min	hp			
2	29	4,5	16,9	0,1	15,0	0,1	15,0	0,1	20,3	0,1	15,0	22,0	0,1
10	145	4,1	15,4	0,3	30,0	0,4	40,0	0,4	18,5	0,4	30,0	20,0	0,4
15	218	3,9	14,8	0,5	435,0	0,5	580,0	0,5	4,9	0,5	435,0	5,3	0,6
20	290	3,9	14,6	0,7	725,0	0,7	1015,0	0,8	4,7	0,8	1015,0	5,1	0,9
			14,6	0,7	60,0	0,7	60,0	0,8	17,5	0,8	60,0	19,0	0,8
			3,9	0,9	870,0	0,9	870,0	1,0	4,6	1,0	870,0	5,0	1,1
Alimentazione motore Motor supply Alimentación motor		13 l/min 3.4 US GPM		13 l/min 3.4 US GPM		15 l/min 4 US GPM		15 l/min 4 US GPM					





POLY 2030

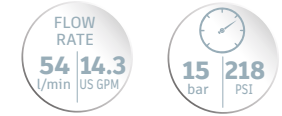


Cod.
94.7466.97.3DS

MOTOR TYPE
1
PAG. 5



POLY 550



Cod.
22.2101.97.3

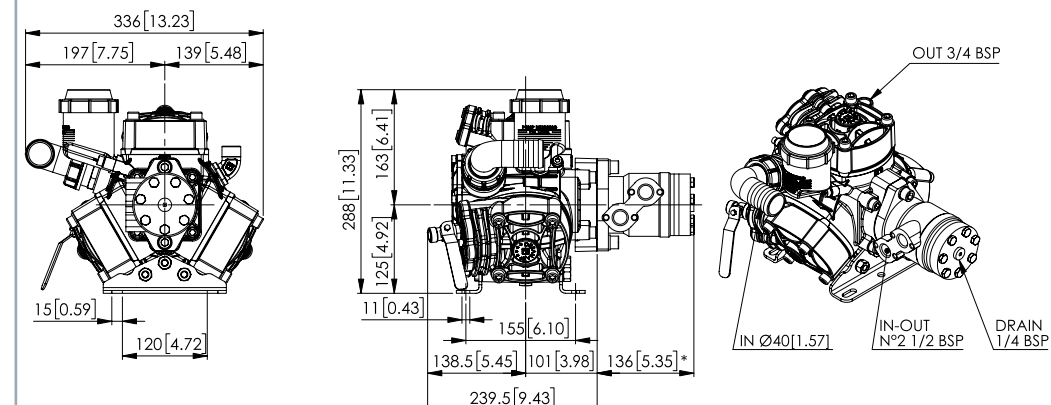
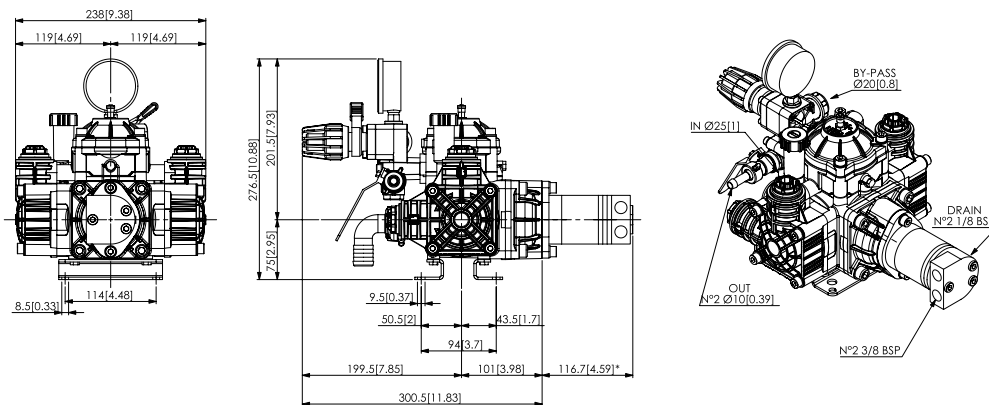
MOTOR TYPE
2
PAG. 5

Rendimenti - Performance - Rendimientos

bar	R.P.M.	500			550			600			650		
		l/min	kW	hp	l/min	kW	hp	l/min	kW	hp	l/min	kW	hp
2	23,8	0,11	15,0	26,2	0,12	15,0	28,6	0,13	15,0	31,0	0,14	15,0	
	29	6,3	0,1	217,5	6,9	0,2	217,5	7,6	0,2	217,5	8,2	0,2	217,5
10	22,3	0,5	40,0	24,5	0,5	40,0	26,8	0,6	40,0	29,0	0,6	50,0	
	145	5,9	0,7	580,0	6,5	0,7	580,0	7,1	0,8	580,0	7,7	0,9	725,0
15	21,5	0,7	60,0	23,7	0,8	70,0	25,8	0,9	70,0	28,0	0,9	60,0	
	218	5,7	1,0	870,0	6,3	1,1	1015,0	6,8	1,2	1015,0	7,4	1,2	870,0
20	20,8	0,9	70,0	22,8	1,0	80,0	24,9	1,1	80,0	27,0	1,2	90,0	
	290	5,5	1,2	1015,0	6,0	1,4	1160,0	6,6	1,5	1160,0	7,1	1,6	1305,0
Alimentazione motore Motor supply Alimentación motor		13 l/min 3.4 US GPM			13 l/min 3.4 US GPM			15 l/min 4 US GPM			15 l/min 4 US GPM		

Rendimenti - Performance - Rendimientos

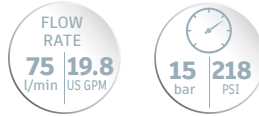
bar	R.P.M.	400			450			500			550		
		l/min	kW	hp	l/min	kW	hp	l/min	kW	hp	l/min	kW	hp
2	39,3	0,2	20,0	44,2	0,2	20,0	49,1	0,2	20,0	54,0	0,2	20,0	
	29	10,4	0,2	290,0	11,7	0,2	290,0	13,0	0,3	290,0	14,3	0,3	290,0
5	37,8	0,4	30,0	42,5	0,4	30,0	47,3	0,5	20,0	52,0	0,5	30,0	
	72,5	10,0	0,5	435,0	11,2	0,6	435,0	12,5	0,6	290,0	13,7	0,7	435,0
10	37,5	0,7	40,0	42,1	0,8	40,0	46,8	0,9	40,0	51,5	1,0	40,0	
	145	9,9	1,0	580,0	11,1	1,1	580,0	12,4	1,2	580,0	13,6	1,4	580,0
15	37,1	1,1	50,0	41,7	1,2	50,0	46,4	1,4	50,0	51,0	1,5	50,0	
	218	9,8	1,5	725,0	11,0	1,6	725,0	12,2	1,8	725,0	13,5	2,0	725,0
Alimentazione motore Motor supply Alimentación motor		22 l/min 5.8 US GPM			25 l/min 6.6 US GPM			30 l/min 8 US GPM			30 l/min 8 US GPM		



*: Ingombro del motore indicativo - Approximate motor dimensions - Dimensiones aproximadas del motor



POLY 2073

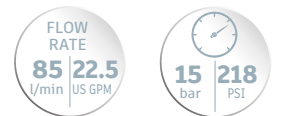


Cod.
63.8005.97.3

MOTOR TYPE
3
PAG. 5



POLY 2085

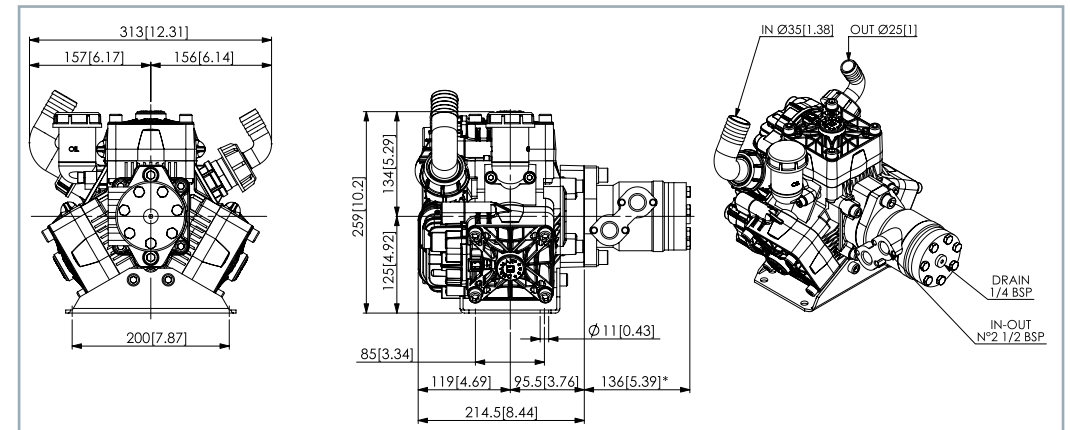
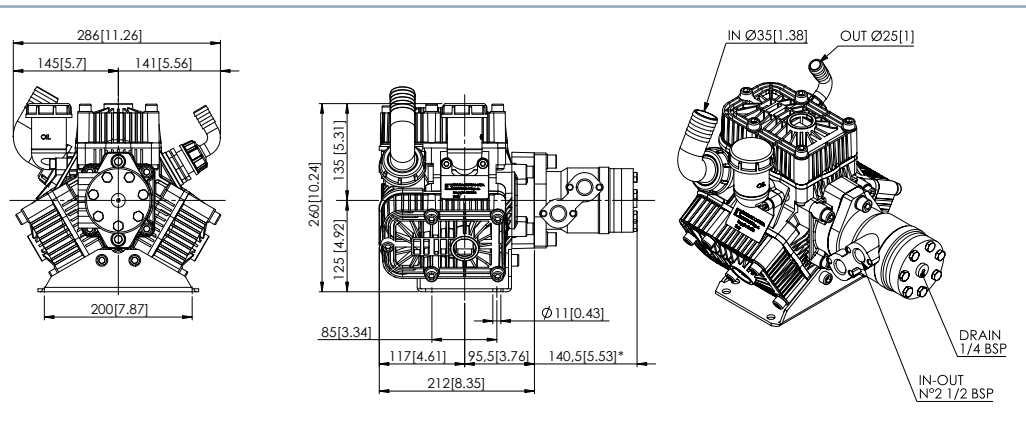


Cod.
63.8007.97.3DS

MOTOR TYPE
2
PAG. 5

Rendimenti - Performance - Rendimientos													
bar	R.P.M.	400			450			500			550		
		l/min	kW	hp	bar	l/min	kW	hp	bar	l/min	kW	hp	bar
	PSI	US GPM	hp	PSI	US GPM	hp	PSI	US GPM	hp	PSI	US GPM	hp	PSI
2		54,5	0,2	20,0	61,4	0,2	20,0	68,2	0,3	20,0	75,0	0,3	20,0
	29	14,4	0,3	290,0	16,2	0,3	290,0	18,0	0,4	290,0	19,8	0,4	290,0
5		53,8	0,5	20,0	60,5	0,6	20,0	67,3	0,7	30,0	74,0	0,7	40,0
	72,5	14,2	0,7	290,0	16,0	0,8	290,0	17,8	0,9	435,0	19,6	1,0	580,0
10		52,4	1,0	40,0	58,9	1,2	40,0	65,5	1,3	40,0	72,0	1,4	50,0
	145	13,8	1,4	580,0	15,6	1,5	580,0	17,3	1,7	580,0	19,0	1,9	725,0
15		50,9	1,5	60,0	57,3	1,7	60,0	63,6	1,9	60,0	70,0	2,1	70,0
	218	13,5	2,0	870,0	15,1	2,3	870,0	16,8	2,5	870,0	18,5	2,8	1015,0
Alimentazione motore Motor supply Alimentación motor		22 l/min 5.8 US GPM			25 l/min 6.6 US GPM			30 l/min 8 US GPM			30 l/min 8 US GPM		

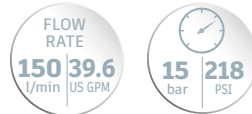
Rendimenti - Performance - Rendimientos													
bar	R.P.M.	400			450			500			550		
		l/min	kW	hp	bar	l/min	kW	hp	bar	l/min	kW	hp	bar
	PSI	US GPM	hp	PSI	US GPM	hp	PSI	US GPM	hp	PSI	US GPM	hp	PSI
2		61,8	0,2	20,0	69,5	0,3	20,0	77,3	0,3	20,0	85,0	0,3	20,0
	29	16,3	0,3	290,0	18,4	0,4	290,0	20,4	0,4	290,0	22,5	0,4	290,0
5		61,1	0,6	30,0	68,7	0,7	30,0	76,4	0,7	40,0	84,0	0,8	40,0
	72,5	16,1	0,8	435,0	18,2	0,9	435,0	20,2	1,0	580,0	22,2	1,1	580,0
10		60,4	1,2	50,0	67,9	1,3	40,0	75,5	1,5	50,0	83,0	1,6	50,0
	145	15,9	1,6	725,0	17,9	1,8	580,0	19,9	2,0	725,0	21,9	2,2	725,0
15		59,6	1,8	80,0	67,1	2,0	70,0	74,5	2,2	70,0	82,0	2,4	80,0
	218	15,8	2,3	1160,0	17,7	2,6	1015,0	19,7	2,9	1015,0	21,7	3,2	1160,0
Alimentazione motore Motor supply Alimentación motor		22 l/min 5.8 US GPM			25 l/min 6.6 US GPM			30 l/min 8 US GPM			30 l/min 8 US GPM		



*: Ingombro del motore indicativo - Approximate motor dimensions - Dimensiones aproximadas del motor



POLY 2150

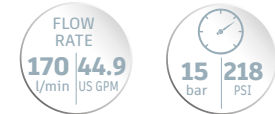


Cod.
62.8007.97.3DS

MOTOR TYPE
2
PAG. 5



POLY 2180

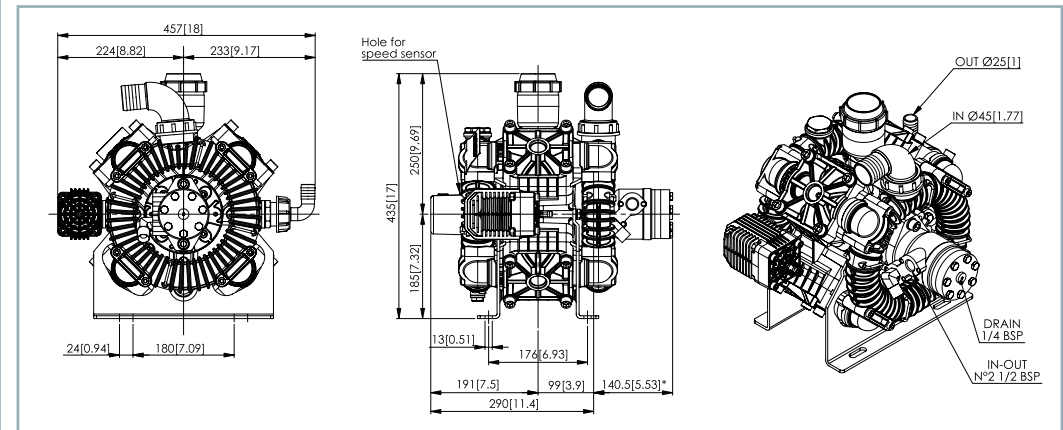
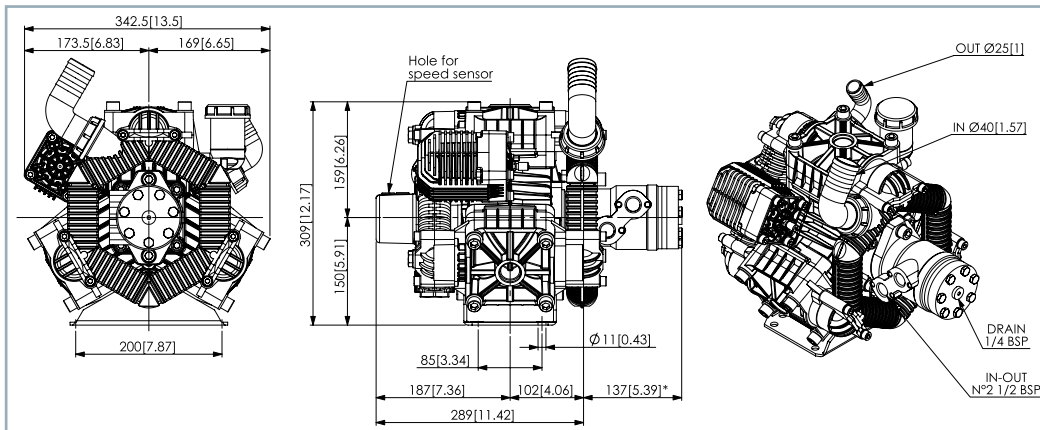


Cod.
28.9279.97.3DS

MOTOR TYPE
3
PAG. 5

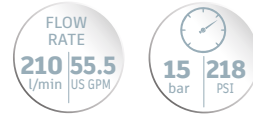
Rendimenti - Performance - Rendimientos													
R.P.M.		400			450			500			550		
bar	PSI	l/min	kW	bar	l/min	kW	bar	l/min	kW	bar	l/min	kW	bar
2	29	109	0,4	30,0	123	0,5	30,0	136	0,5	30,0	150	0,6	30,0
5	72,5	28,4	1,1	435,0	32,4	1,2	435,0	36,0	1,3	435,0	39,6	1,5	435,0
10	145	105	2,1	80,0	119	2,3	80,0	132	2,6	80,0	145	2,8	90,0
15	218	27,9	2,8	1160,0	31,3	3,1	1160,0	34,8	3,5	1160,0	38,3	3,8	1305,0
		104	3,1	110,0	117	3,4	120,0	130	3,8	120,0	143	4,2	120,0
		27,5	4,1	1595,0	30,9	4,6	1740,0	34,3	5,1	1740,0	37,8	5,6	1740,0
Alimentazione motore Motor supply Alimentación motor		22 l/min 5.8 US GPM			25 l/min 6.6 US GPM			30 l/min 8 US GPM			30 l/min 8 US GPM		

Rendimenti - Performance - Rendimientos													
R.P.M.		400			450			500			550		
bar	PSI	l/min	kW	bar	l/min	kW	bar	l/min	kW	bar	l/min	kW	bar
2	29	124	0,5	20,0	139	0,5	20,0	155	0,6	30,0	170	0,7	20,0
5	72,5	32,7	0,6	290,0	36,7	0,7	290,0	40,8	0,8	435,0	44,9	0,9	290,0
10	145	123	1,2	40,0	138	1,4	40,0	154	1,5	40,0	169	1,7	50,0
15	218	32,5	1,6	580,0	36,5	1,8	580,0	40,6	2,0	580,0	44,6	2,2	725,0
		121	2,4	60,0	137	2,7	70,0	152	3,0	70,0	167	3,3	70,0
		32,1	3,2	870,0	36,1	3,6	1015,0	40,1	4,0	1015,0	44,1	4,4	1015,0
		120	3,5	90,0	135	4,0	90,0	150	4,4	90,0	165	4,9	100,0
		31,7	4,7	1305,0	35,7	5,3	1305,0	39,6	5,9	1305,0	43,6	6,5	1450,0
Alimentazione motore Motor supply Alimentación motor		35 l/min 9.2 US GPM			40 l/min 10.6 US GPM			45 l/min 11.8 US GPM			50 l/min 13.2 US GPM		



*: Ingombro del motore indicativo - Approximate motor dimensions - Dimensiones aproximadas del motor

POLY 2210

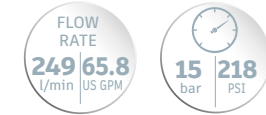


Cod.
55.7013.97.3DS

MOTOR TYPE
4
PAG. 5



POLY 2240



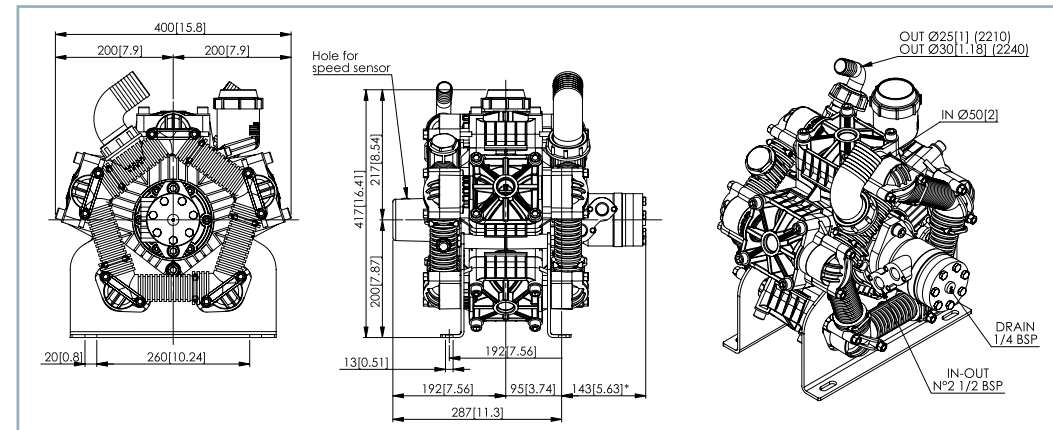
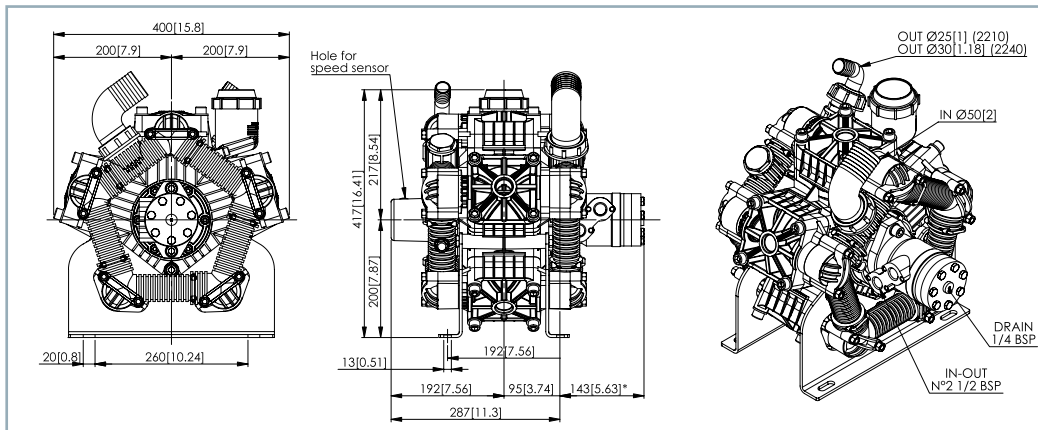
Cod.
55.7014.97.3DS

MOTOR TYPE
4
PAG. 5



Rendimenti - Performance - Rendimientos														
R.P.M.		400			450			500			550			
bar	PSI	l/min	US GPM	kW	hp	bar	PSI	US GPM	hp	bar	PSI	US GPM	hp	PSI
2	29	153	40,4	0,6	0,8	20,0	290,0	45,4	0,9	30,0	435,0	50,4	1,0	435,0
5	72,5	151	40,0	1,5	2,0	40,0	580,0	45,5	2,2	40,0	580,0	50,0	2,5	580,0
10	145	150	40,0	2,9	4,0	60,0	870,0	44,5	4,4	60,0	870,0	49,5	4,9	1015,0
15	218	148	39,2	4,4	5,8	90,0	1305,0	167	4,9	90,0	1305,0	185	5,5	90,0
Alimentazione motore Motor supply Alimentación motor		45 l/min 11.8 US GPM			50 l/min 13.2 US GPM			55 l/min 14.5 US GPM			60 l/min 15.8 US GPM			

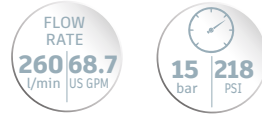
Rendimenti - Performance - Rendimientos														
R.P.M.		400			450			500			550			
bar	PSI	l/min	US GPM	kW	hp	bar	PSI	US GPM	hp	bar	PSI	US GPM	hp	PSI
2	29	181	47,8	0,7	1,0	20,0	290,0	53,8	1,1	30,0	435,0	59,8	1,2	435,0
5	72,5	180	47,5	1,8	2,4	40,0	580,0	53,4	2,7	40,0	580,0	59,3	2,9	725,0
10	145	178	47,1	3,5	4,7	70,0	1015,0	200	3,9	70,0	1015,0	223	4,4	1160,0
15	218	176	46,5	5,2	6,9	100,0	1450,0	198	5,8	110,0	1595,0	220	6,5	110,0
Alimentazione motore Motor supply Alimentación motor		45 l/min 11.8 US GPM			50 l/min 13.2 US GPM			55 l/min 14.5 US GPM			60 l/min 15.8 US GPM			



*: Ingombro del motore indicativo - Approximate motor dimensions - Dimensiones aproximadas del motor



POLY 2260

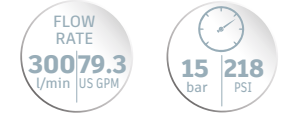


Cod.
14.6070.97.3DS

MOTOR TYPE
4
PAG. 5



POLY 2300

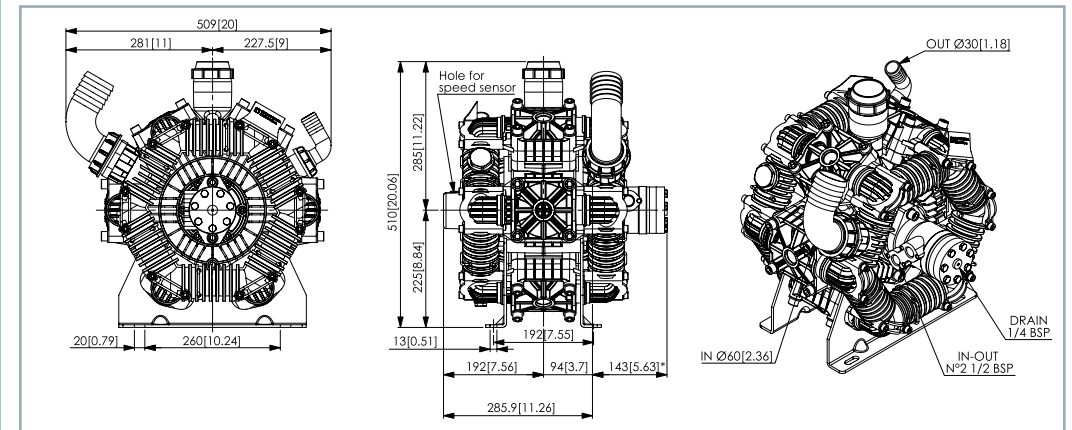
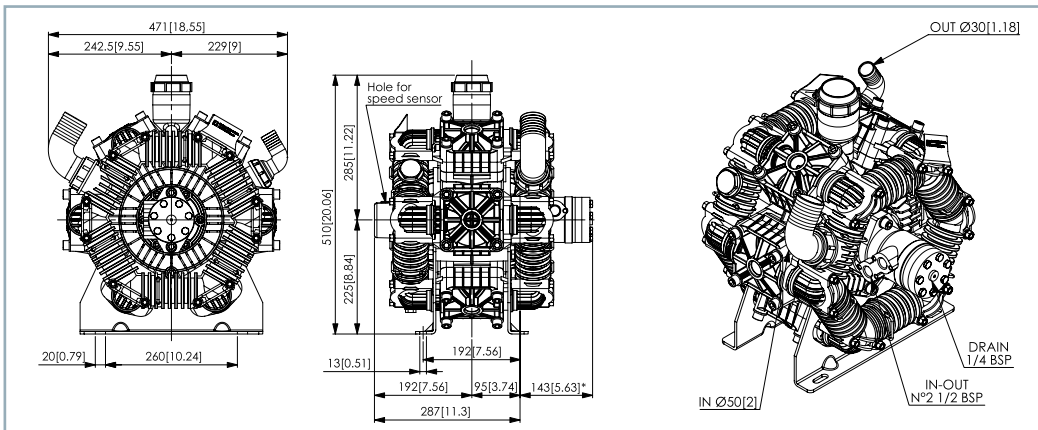


Cod.
14.6033.97.3DS

MOTOR TYPE
4
PAG. 5

Rendimenti - Performance - Rendimientos													
R.P.M.		400			450			500			550		
bar	PSI	l/min	kW	bar	l/min	kW	bar	l/min	kW	bar	l/min	kW	bar
2	29	189,0	0,7	20,0	213,0	0,8	30,0	236,0	0,9	30,0	260,0	1,0	30,0
5	72,5	188,0	1,8	40,0	211,0	2,1	50,0	235,0	2,3	50,0	258,0	2,5	50,0
10	145	185,0	3,6	70,0	208,0	4,1	80,0	231,0	4,5	80,0	254,0	5,0	80,0
15	218	182,0	5,4	110,0	205,0	6,0	110,0	227,0	6,7	120,0	250,0	7,4	120,0
		48,0	7,2	1595,0	54,0	8,0	1595,0	60,0	8,9	1740,0	66,1	9,8	1740,0
Alimentazione motore Motor supply Alimentación motor		45 l/min 11.8 US GPM			50 l/min 13.2 US GPM			55 l/min 14.5 US GPM			60 l/min 15.8 US GPM		

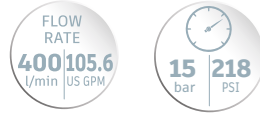
Rendimenti - Performance - Rendimientos													
R.P.M.		400			450			500			550		
bar	PSI	l/min	kW	bar	l/min	kW	bar	l/min	kW	bar	l/min	kW	bar
2	29	218,0	0,9	30,0	245,0	1,0	30,0	273,0	1,1	30,0	300,0	1,2	30,0
5	72,5	217,0	2,1	50,0	244,0	2,4	50,0	271,0	2,7	60,0	298,0	2,9	60,0
10	145	214,0	4,2	90,0	240,5	4,7	90,0	267,0	5,2	90,0	294,0	5,8	90,0
15	218	211,0	6,2	120,0	237,0	7,0	120,0	264,0	7,8	130,0	290,0	8,5	140,0
		55,7	8,3	1740,0	62,7	9,3	1740,0	69,7	10,4	1885,0	76,6	11,4	2030,0
Alimentazione motore Motor supply Alimentación motor		45 l/min 11.8 US GPM			50 l/min 13.2 US GPM			55 l/min 14.5 US GPM			60 l/min 15.8 US GPM		



* :Ingombro del motore indicativo - Approximate motor dimensions - Dimensiones aproximadas del motor



POLY 2450

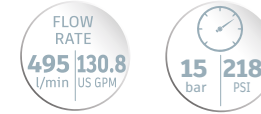


Cod.
15.1073.97.3

MOTOR TYPE
4
PAG. 5



POLY 2500

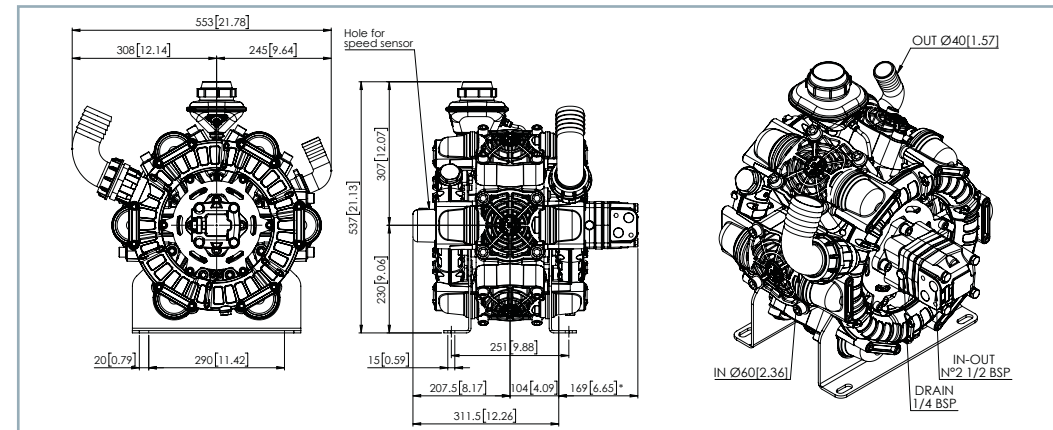
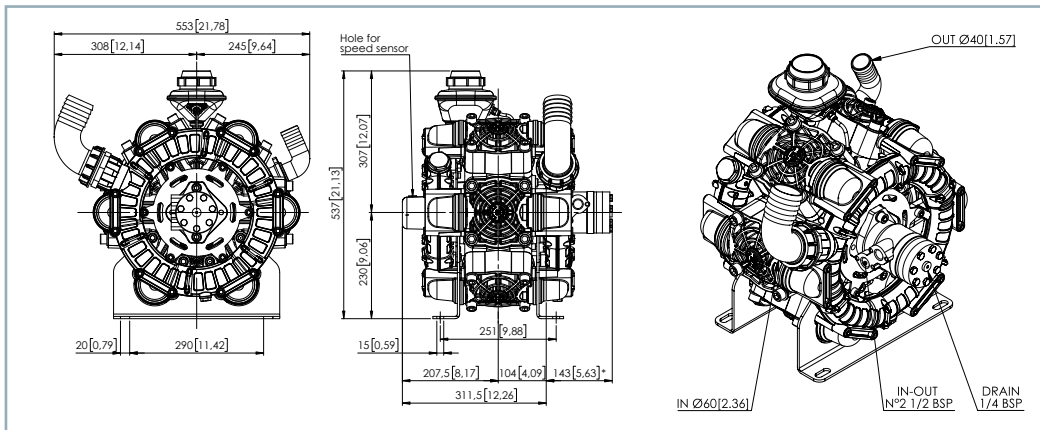


Cod.
15.1072.97.3

MOTOR TYPE
7
PAG. 5

Rendimenti - Performance - Rendimientos														
R.P.M.		400			450			500			550			
bar	PSI	l/min	US GPM	hp	bar	PSI	l/min	US GPM	hp	bar	PSI	l/min	US GPM	hp
2	29	291	76,8	1,4	30,0	435,0	327	86,4	1,2	30,0	435,0	363	96,0	1,4
5	72,5	288	76,2	2,7	60,0	870,0	325	85,7	3,0	60,0	870,0	361	95,2	3,3
10	145	286	76,2	3,6	100,0	870,0	322	85,7	4,0	110,0	1015,0	358	94,5	4,4
15	218	284	75,6	5,3	150,0	1450,0	319	85,0	6,0	160,0	1595,0	355	94,5	8,8
		218	75,0	10,9	2175,0	2320,0	84,4	12,2	2320,0	93,7	13,5	2320,0	103,1	14,9
Alimentazione motore Motor supply Alimentación motor		45 l/min 11.8 US GPM			50 l/min 13.2 US GPM			55 l/min 15.5 US GPM			60 l/min 15.8 US GPM			

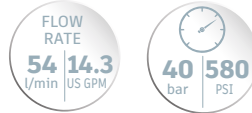
Rendimenti - Performance - Rendimientos														
R.P.M.		450			500			550			600			
bar	PSI	l/min	US GPM	hp	bar	PSI	l/min	US GPM	hp	bar	PSI	l/min	US GPM	hp
2	29	374	98,8	1,5	20,0	290,0	415	109,8	1,6	20,0	290,0	457	120,7	1,8
5	72,5	371	98,1	2,0	60,0	870,0	413	109,0	2,2	60,0	870,0	454	119,9	2,4
10	145	369	97,5	2,7	110,0	1595,0	410	108,3	3,0	110,0	1595,0	451	118,1	3,3
15	218	366	96,6	3,6	160,0	2320,0	406	107,4	4,0	160,0	2320,0	447	118,1	4,4
		218	96,6	14,1	2320,0	2320,0	107,4	15,7	2320,0	118,1	17,3	2320,0	128,1	18,9
Alimentazione motore Motor supply Alimentación motor		50 l/min 13.2 US GPM			55 l/min 14.5 US GPM			60 l/min 15.8 US GPM			65 l/min 17.2 US GPM			



*: Ingombro del motore indicativo - Approximate motor dimensions - Dimensiones aproximadas del motor



PPS 550

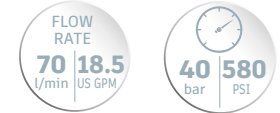


Cod.
22.2101.97.3

MOTOR TYPE
2
PAG. 5



PPS 750

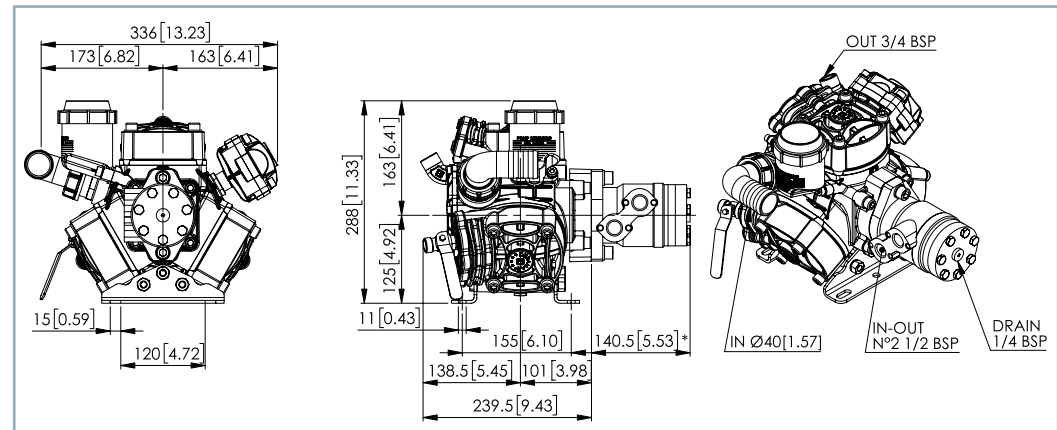
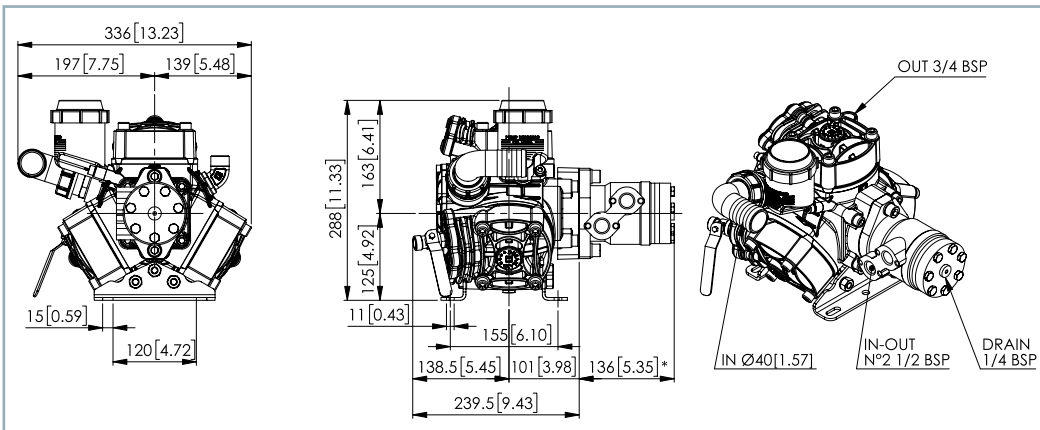


Cod.
22.2102.97.3

MOTOR TYPE
3
PAG. 5

Rendimenti - Performance - Rendimientos													
R.P.M.		400			450			500			550		
bar	PSI	l/min	kW	bar	PSI	l/min	kW	bar	PSI	l/min	kW	bar	PSI
2	29	39,3	0,2	20,0	290,0	44,2	0,2	20,0	290,0	49,1	0,2	20,0	290,0
20	290	10,4	0,2	290,0	11,7	0,2	290,0	13,0	0,3	290,0	14,3	0,3	290,0
30	290	37,8	1,5	50,0	42,5	1,7	60,0	47,3	1,9	60,0	52,0	2,0	60,0
40	435	10,0	2,0	725,0	11,2	2,2	870,0	12,5	2,5	870,0	13,7	2,7	870,0
580	580	37,5	2,2	90,0	42,1	2,5	80,0	46,8	2,8	90,0	51,5	3,0	90,0
		435	2,9	1305,0	11,1	3,3	1160,0	12,4	3,7	1305,0	13,6	4,1	1305,0
		580	2,9	110,0	41,7	3,3	110,0	46,4	3,6	110,0	51,0	4,0	110,0
		580	3,9	1595,0	11,0	4,4	1595,0	12,2	4,9	1595,0	13,5	5,4	1595,0
Alimentazione motore Motor supply Alimentación motor		22 l/min 5.8 US GPM			25 l/min 6.6 US GPM			30 l/min 8 US GPM			30 l/min 8 US GPM		

Rendimenti - Performance - Rendimientos													
R.P.M.		400			450			500			550		
bar	PSI	l/min	kW	bar	PSI	l/min	kW	bar	PSI	l/min	kW	bar	PSI
2	29	50,9	0,2	20,0	290,0	57,3	0,2	20,0	290,0	63,6	0,2	20,0	290,0
20	290	13,5	0,3	290,0	15,1	0,3	290,0	16,8	0,3	290,0	18,5	0,4	290,0
30	290	50,0	2,0	50,0	56,3	2,2	50,0	62,5	2,5	50,0	68,8	2,7	60,0
40	435	13,2	2,6	725,0	14,9	3,0	725,0	16,5	3,3	725,0	18,2	3,6	870,0
580	580	49,4	2,9	80,0	55,6	3,3	80,0	61,7	3,6	80,0	67,9	8,3	80,0
		435	3,9	1160,0	14,7	4,4	1160,0	16,3	4,9	1160,0	17,9	5,3	1160,0
		580	3,8	100,0	54,9	4,3	100,0	61,0	4,8	100,0	67,1	5,3	100,0
		580	5,1	1450,0	14,5	5,8	1450,0	16,1	6,4	1450,0	17,7	7,0	1450,0
Alimentazione motore Motor supply Alimentación motor		35 l/min 9.2 US GPM			40 l/min 10.6 US GPM			45 l/min 11.8 US GPM			50 l/min 13.2 US GPM		



*: Ingombro del motore indicativo - Approximate motor dimensions - Dimensiones aproximadas del motor



PPS 100

FLOW RATE
100 26.4
l/min US GPM

40 580
bar PSI

Cod.
36.7051.97.3

MOTOR TYPE
4
PAG. 5



PPS 1212

FLOW RATE
125 33
l/min US GPM

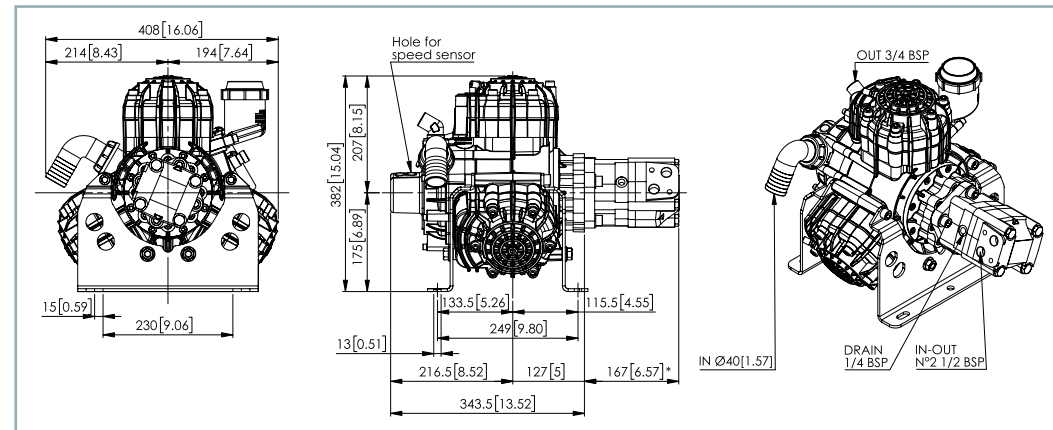
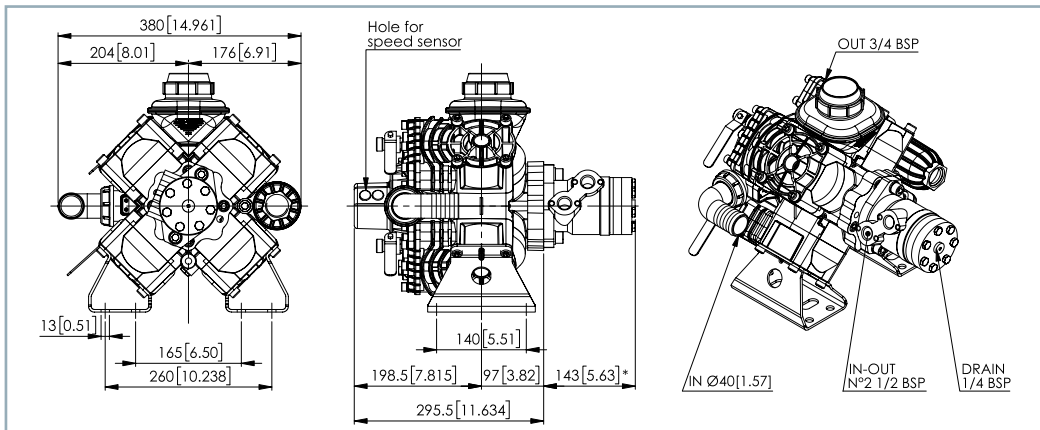
40 580
bar PSI

Cod.
39.2000.97.3

MOTOR TYPE
5
PAG. 5

Rendimenti - Performance - Rendimientos																
R.P.M.		400			450			500			550					
bar	PSI	l/min	kW	hp	bar	PSI	l/min	kW	hp	bar	PSI	l/min	kW	hp	bar	PSI
2	29	72,7	0,3	0,4	20,0	29,0	81,8	0,3	0,4	20,0	29,0	90,9	0,4	0,5	20,0	29,0
20	290	19,2	0,4	0,5	290,0	290,0	21,6	0,4	0,5	290,0	290,0	24,0	0,5	0,6	26,4	38,0
30	435	71,3	2,8	3,8	60,0	87,0	80,2	3,1	4,2	70,0	101,0	89,1	3,5	4,7	98,0	140,0
40	580	18,8	3,7	5,1	870,0	1305,0	21,2	4,2	5,7	1015,0	1505,0	23,5	4,7	6,4	25,9	37,0
580	840	70,5	4,2	5,7	90,0	130,0	79,4	4,7	6,4	90,0	130,0	88,2	5,2	7,1	97,0	140,0
580	840	18,6	5,6	7,6	1305,0	1950,0	21,0	6,2	8,4	1305,0	1950,0	23,3	6,9	9,5	25,6	37,0
580	840	69,1	5,4	7,4	100,0	140,0	77,7	6,1	8,3	110,0	150,0	86,4	6,8	9,3	95,0	137,0
580	840	18,3	7,3	10,0	1450,0	2100,0	20,5	8,2	11,1	1595,0	2300,0	22,8	9,1	12,4	25,1	36,0
Alimentazione motore Motor supply Alimentación motor		45 l/min 11.8 US GPM			50 l/min 13.2 US GPM			55 l/min 14.5 US GPM			60 l/min 15.8 US GPM					

Rendimenti - Performance - Rendimientos																
R.P.M.		400			450			500			550					
bar	PSI	l/min	kW	hp	bar	PSI	l/min	kW	hp	bar	PSI	l/min	kW	hp	bar	PSI
2	29	90,9	0,4	0,5	20,0	29,0	102,3	0,4	0,5	20,0	29,0	113,6	0,4	0,5	20,0	29,0
20	290	24,0	0,5	0,6	290,0	290,0	27,0	0,5	0,6	290,0	290,0	30,0	0,6	0,7	29,0	38,0
30	435	89,5	3,5	4,7	70,0	101,0	100,6	4,0	5,3	80,0	111,8	111,8	4,4	5,9	123,0	177,0
40	580	23,6	4,7	6,4	1015,0	1505,0	26,6	5,3	7,2	1160,0	1660,0	29,5	5,9	8,0	32,5	45,0
580	840	88,0	5,2	7,1	110,0	150,0	99,0	5,8	7,9	120,0	170,0	110,0	6,5	8,8	121,0	171,0
580	840	23,2	6,9	9,3	1595,0	2300,0	26,2	7,8	10,6	1740,0	2500,0	29,1	8,7	11,8	32,0	44,0
580	840	87,3	6,9	9,3	150,0	200,0	98,2	7,7	10,4	150,0	200,0	109,1	8,6	11,6	120,0	170,0
580	840	23,1	9,2	12,5	2175,0	3100,0	25,9	10,3	13,9	2175,0	3100,0	28,8	11,4	15,5	31,7	43,0
Alimentazione motore Motor supply Alimentación motor		35 l/min 9.2 US GPM			40 l/min 10.6 US GPM			45 l/min 11.8 US GPM			50 l/min 13.2 US GPM					



*: Ingombro del motore indicativo - Approximate motor dimensions - Dimensiones aproximadas del motor



PPS 1615

FLOW RATE
147 38.8
l/min US GPM

40 580
bar PSI

Cod.
40.2000. 97.3

MOTOR TYPE
6
PAG. 5

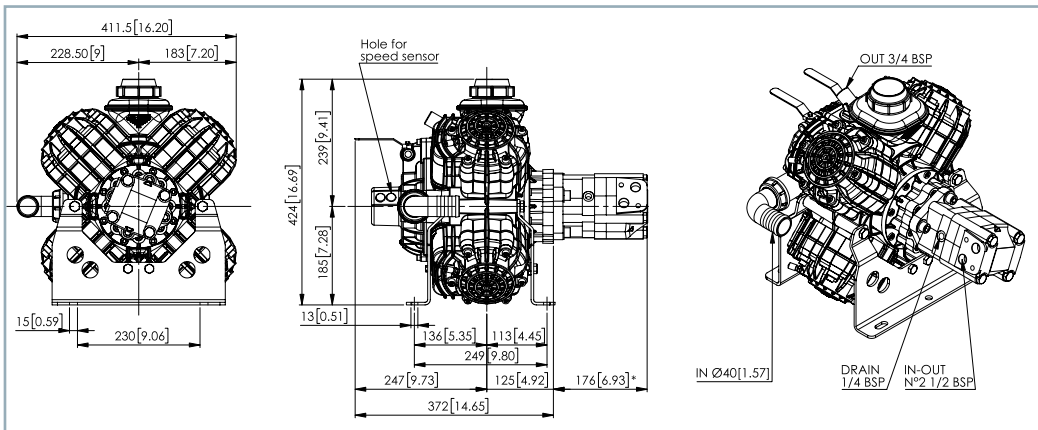
Rendimenti - Performance - Rendimientos

R.P.M.		400		450		500		550					
bar	PSI	l/min	US GPM	bar	PSI	l/min	US GPM	bar	PSI	l/min	US GPM	bar	PSI
2	29	106,9	28,2	30,0	435,0	120,3	31,8	0,5	30,0	133,6	35,3	0,5	30,0
20	290	105,5	27,9	70,0	1015,0	118,6	31,3	6,9	100,0	131,8	34,8	6,9	1015,0
30	435	104,7	27,7	80,0	1160,0	117,8	31,1	9,3	1450,0	130,9	34,6	10,3	1450,0
40	580	103,3	27,3	90,0	1305,0	116,2	30,7	12,2	1740,0	129,1	34,1	13,5	1740,0
Alimentazione motore Motor supply Alimentación motor		55 l/min 14.5 US GPM		60 l/min 15.8 US GPM		70 l/min 18.5 US GPM		75 l/min 19.8 US GPM					



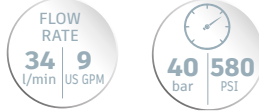
PA SERIES

ALUMINUM BI-OXI





PA 330

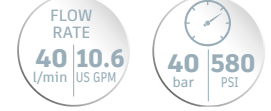


Cod.
03.8102.97.3

MOTOR TYPE
2
PAG. 5



PA 430

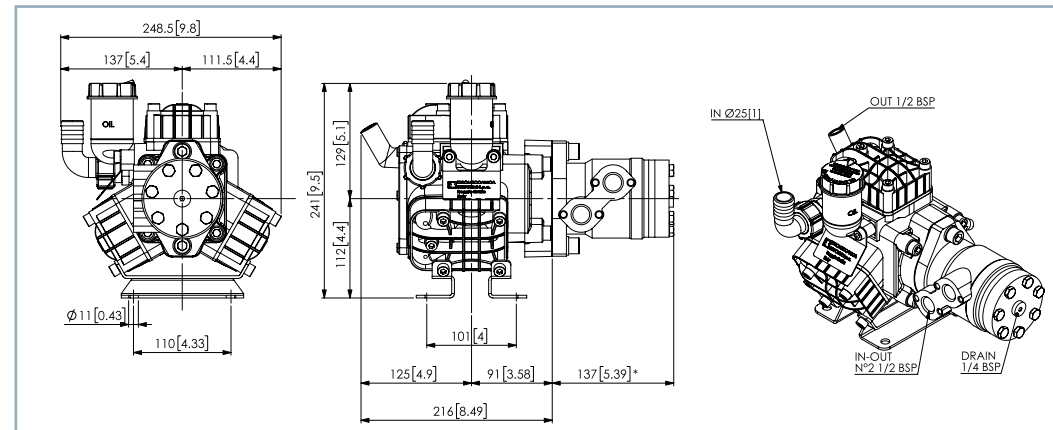
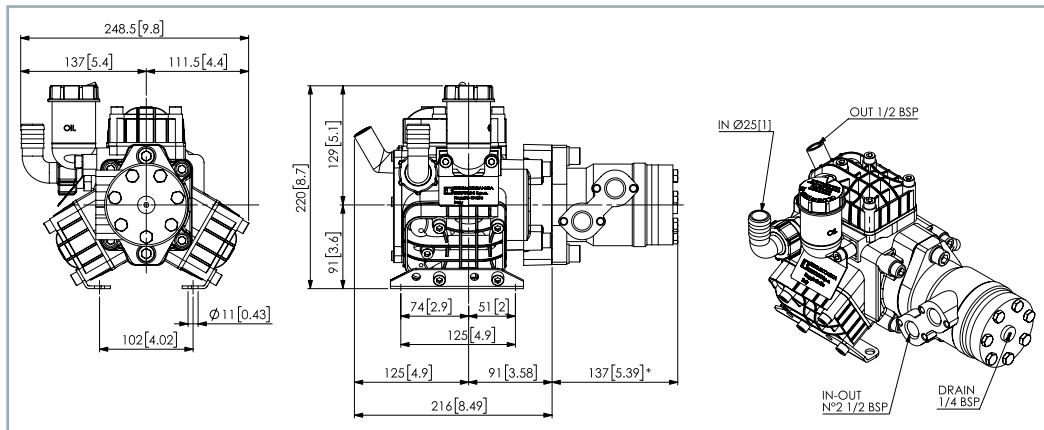


Cod.
03.8103.97.3

MOTOR TYPE
2
PAG. 5

Rendimenti - Performance - Rendimientos													
R.P.M.		500			550			600			650		
bar	PSI	l/min	US GPM	kW	hp	bar	PSI	l/min	US GPM	kW	hp	bar	PSI
2	29	26,2	6,9	0,1	0,1	20,0	290,0	28,8	7,6	0,2	0,2	20,0	290,0
20	290	24,6	6,5	1,0	1,3	40,0	580,0	27,1	7,2	1,1	1,4	40,0	580,0
30	435	24,2	6,4	1,4	1,9	50,0	725,0	26,7	7,0	1,6	2,1	50,0	725,0
40	580	6,3	23,8	2,5	1,9	870,0	1015,0	6,9	26,2	2,8	2,1	70,0	1015,0
Alimentazione motore Motor supply Alimentación motor		30 l/min 8 US GPM			30 l/min 8 US GPM			35 l/min 9.2 US GPM			35 l/min 9.2 US GPM		

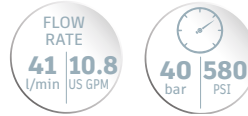
Rendimenti - Performance - Rendimientos													
R.P.M.		500			550			600			650		
bar	PSI	l/min	US GPM	kW	hp	bar	PSI	l/min	US GPM	kW	hp	bar	PSI
2	29	30,8	8,1	0,1	0,2	20,0	290,0	33,8	8,9	0,2	0,2	20,0	290,0
20	290	28,5	7,5	1,1	1,5	40,0	580,0	31,3	8,3	1,2	1,6	40,0	580,0
30	435	28,1	7,4	1,7	2,2	50,0	725,0	30,9	8,2	1,8	2,4	50,0	725,0
40	580	7,3	27,7	2,9	2,2	1015,0	1160,0	8,0	30,5	3,2	2,4	70,0	1015,0
Alimentazione motore Motor supply Alimentación motor		30 l/min 8 US GPM			30 l/min 8 US GPM			35 l/min 9.2 US GPM			35 l/min 9.2 US GPM		



*: Ingombro del motore indicativo - Approximate motor dimensions - Dimensiones aproximadas del motor



PA 440



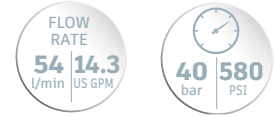
Cod.

03.8104.97.3

MOTOR TYPE
2
PAG. 5



PA 530



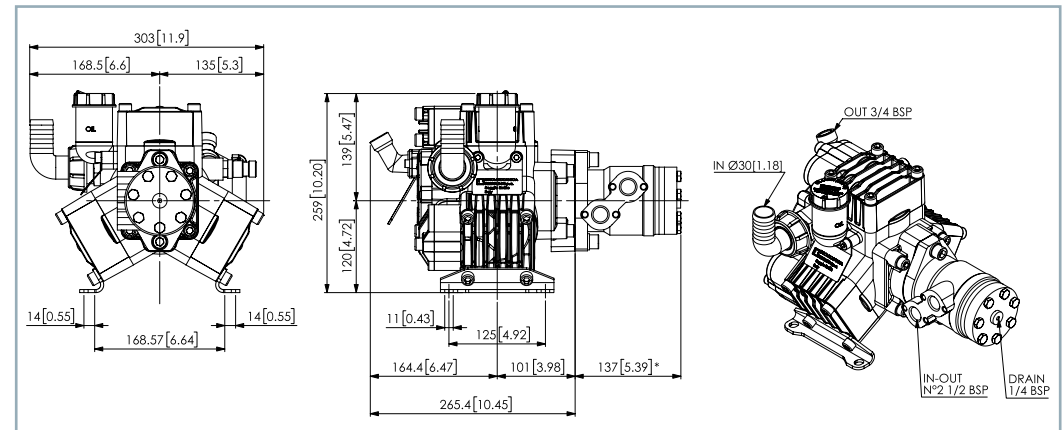
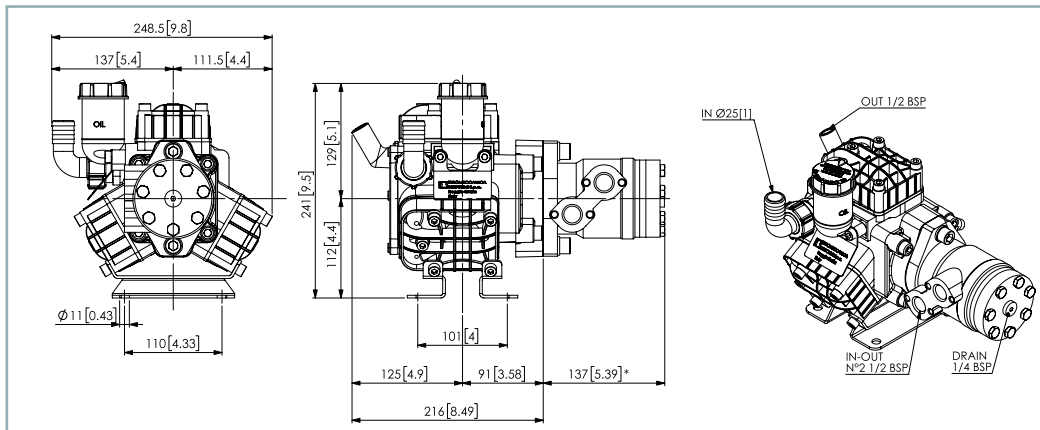
Cod.

23.8017.97.3

MOTOR TYPE
2
PAG. 5

Rendimenti - Performance - Rendimientos													
R.P.M.		500			550			600			650		
bar	PSI	l/min	US GPM	kW	hp	bar	PSI	l/min	US GPM	kW	hp	bar	PSI
2	29,8	29,8	7,9	0,1	0,1	20,0	29,0	33,5	8,9	0,2	0,2	20,0	29,0
29	7,9	28,4	7,5	1,5	2,1	40,0	29,0	31,9	8,4	1,7	2,4	40,0	29,0
20	28,4	28,4	7,5	1,5	2,1	40,0	29,0	31,9	8,4	1,7	2,4	40,0	29,0
30	27,3	27,3	7,2	1,6	2,2	60,0	87,0	30,7	8,1	1,8	2,5	70,0	101,0
435	7,2	26,9	7,1	1,6	2,2	60,0	87,0	30,3	8,0	2,2	3,0	70,0	101,0
40	26,9	26,9	7,1	1,6	2,2	80,0	116,0	30,3	8,0	2,2	3,0	80,0	116,0
580	7,1	7,1	2,8	2,8	3,8	116,0	160,0	8,0	2,2	3,0	4,0	116,0	160,0
Alimentazione motore Motor supply Alimentación motor		30 l/min 8 US GPM			30 l/min 8 US GPM			35 l/min 9.2 US GPM			35 l/min 9.2 US GPM		

Rendimenti - Performance - Rendimientos													
R.P.M.		400			450			500			550		
bar	PSI	l/min	US GPM	kW	hp	bar	PSI	l/min	US GPM	kW	hp	bar	PSI
2	39,3	39,3	10,4	0,2	0,2	20,0	29,0	44,2	11,7	0,2	0,2	20,0	29,0
29	10,4	10,4	7,5	1,5	2,1	40,0	29,0	42,5	11,2	2,2	3,0	40,0	29,0
20	37,8	37,8	7,5	1,5	2,1	40,0	29,0	42,5	11,2	2,2	3,0	40,0	29,0
30	37,5	37,5	7,2	1,6	2,2	60,0	87,0	42,1	11,1	2,5	3,4	60,0	87,0
435	9,9	9,9	7,2	1,6	2,2	60,0	87,0	42,1	11,1	2,5	3,4	60,0	87,0
40	37,1	37,1	7,2	1,6	2,2	110,0	155,0	41,7	11,0	3,3	4,5	110,0	155,0
580	9,8	9,8	7,1	1,6	2,2	110,0	155,0	41,7	11,0	3,3	4,5	110,0	155,0
Alimentazione motore Motor supply Alimentación motor		22 l/min 5.8 US GPM			25 l/min 6.6 US GPM			30 l/min 8 US GPM			30 l/min 8 US GPM		



* :Ingombro del motore indicativo - Approximate motor dimensions - Dimensiones aproximadas del motor



PA 730

FLOW RATE
70 18.5
l/min US GPM

40 580
bar PSI

Cod.

23.8018.97.3

MOTOR TYPE
3
PAG. 5



PA/S 830

FLOW RATE
78 20.6
l/min US GPM

40 580
bar PSI

Cod.

23.8019.97.3

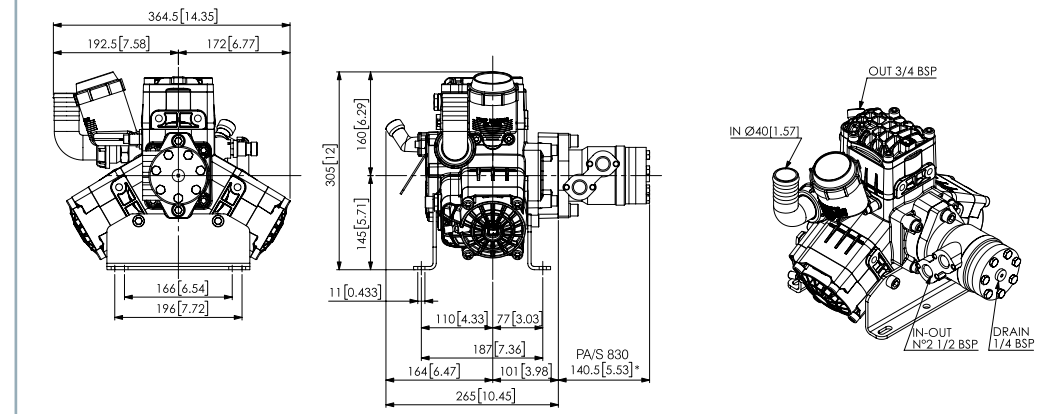
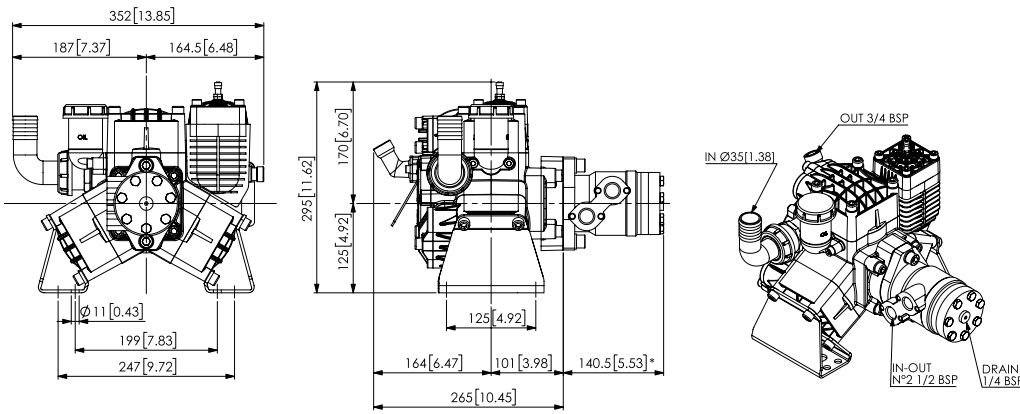
MOTOR TYPE
3
PAG. 5

Rendimenti - Performance - Rendimientos

bar	400			450			500			550			
	R.P.M.	l/min	kW	bar	l/min	kW	bar	l/min	kW	bar	l/min	kW	bar
	PSI	US GPM	hp	PSI	US GPM	hp	PSI	US GPM	hp	PSI	US GPM	hp	PSI
2		50,9	0,2	20,0	57,3	0,2	20,0	63,6	0,2	20,0	70,0	0,3	20,0
29		13,5	0,3	290,0	15,1	0,3	290,0	16,8	0,3	290,0	18,5	0,4	290,0
20		50,0	2,0	50,0	56,3	2,2	50,0	62,5	2,5	50,0	68,8	2,7	60,0
30	290	13,2	2,6	725,0	14,9	3,0	725,0	16,5	3,3	725,0	18,2	3,6	870,0
40	435	49,4	2,9	80,0	55,6	3,3	80,0	61,7	3,6	80,0	67,9	8,3	80,0
40	435	13,0	3,9	1160,0	14,7	4,4	1160,0	16,3	4,9	1160,0	17,9	5,3	1160,0
40	435	48,8	3,8	100,0	54,9	4,3	100,0	61,0	4,8	100,0	67,1	5,3	100,0
40	580	12,9	5,1	1450,0	14,5	5,8	1450,0	16,1	6,4	1450,0	17,7	7,0	1450,0
Alimentazione motore Motor supply Alimentación motor		35 l/min 9.2 US GPM			40 l/min 10.6 US GPM			45 l/min 11.8 US GPM			50 l/min 13.2 US GPM		

Rendimenti - Performance - Rendimientos

bar	400			450			500			550			
	R.P.M.	l/min	kW	bar	l/min	kW	bar	l/min	kW	bar	l/min	kW	bar
	PSI	US GPM	hp	PSI	US GPM	hp	PSI	US GPM	hp	PSI	US GPM	hp	PSI
2		56,7	0,2	20,0	63,8	0,3	20,0	70,9	0,3	20,0	78,0	0,3	20,0
29		15,0	0,3	290,0	16,9	0,35	290,0	18,7	0,4	290,0	20,6	0,4	290,0
20		56,0	2,2	70,0	63,0	2,5	70,0	70,0	2,7	70,0	77,0	3,0	70,0
30	290	14,8	2,9	1015,0	16,6	3,3	1015,0	18,5	3,7	1015,0	20,3	4,0	1015,0
40	435	56,0	3,3	90,0	63,0	3,7	100,0	70,0	4,1	100,0	77,0	4,5	100,0
40	435	14,8	4,4	1305,0	16,6	5,0	1450,0	18,5	5,5	1450,0	20,3	6,1	1450,0
40	435	55,3	4,3	120,0	62,2	4,9	120,0	69,1	5,4	120,0	76,0	6,0	120,0
40	580	14,6	5,8	1740,0	16,4	6,5	1740,0	18,3	7,3	1740,0	20,1	8,0	1740,0
Alimentazione motore Motor supply Alimentación motor		35 l/min 9.2 US GPM			40 l/min 10.6 US GPM			45 l/min 11.8 US GPM			50 l/min 13.2 US GPM		



*: Ingombro del motore indicativo - Approximate motor dimensions - Dimensiones aproximadas del motor



PA/S 930

FLOW RATE
90 23.8
l/min US GPM

40 580
bar PSI

Cod.
23.8020.97.3

MOTOR TYPE
4
PAG. 5

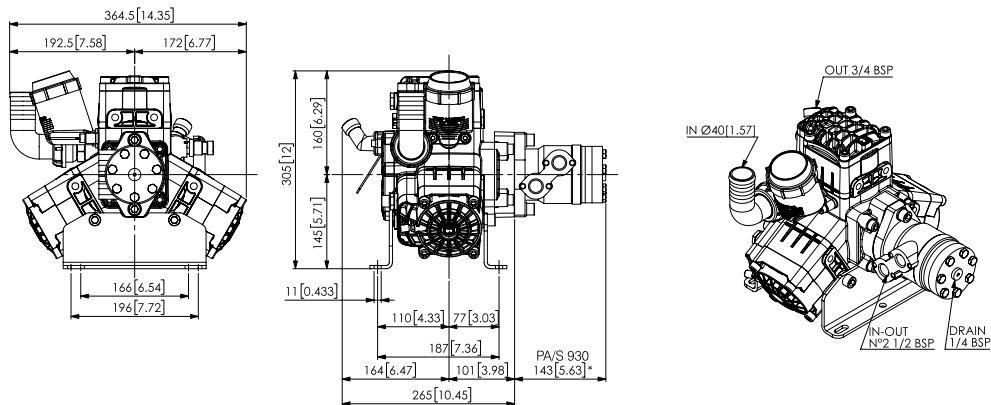
Rendimenti - Performance - Rendimientos

bar	R.P.M. 400		450		500		550						
	l/min	kW	bar	l/min	kW	bar	l/min	kW	bar	l/min	kW	bar	
	PSI	US GPM	hp	PSI	US GPM	hp	PSI	US GPM	hp	PSI	US GPM	hp	PSI
2		65,5	0,3	20,0	73,6	0,3	20,0	81,8	0,3	20,0	90,0	0,4	20,0
	29	17,3	0,3	290,0	19,5	0,4	290,0	21,6	0,4	290,0	23,8	0,5	290,0
20		64,0	2,5	60,0	72,0	2,8	60,0	80,0	3,1	60,0	88,0	3,5	60,0
	290	16,9	3,4	870,0	19,0	3,8	870,0	21,1	4,2	870,0	23,2	4,6	870,0
30		63,3	3,7	80,0	71,2	4,2	80,0	79,1	4,7	90,0	87,0	5,1	80,0
	435	16,7	5,0	1160,0	18,8	5,6	1160,0	20,9	6,2	1305,0	23,0	6,8	1160,0
40		62,5	4,9	100,0	70,4	5,5	100,0	78,2	6,1	100,0	86,0	6,8	110,0
	580	16,5	6,6	1450,0	18,6	7,4	1450,0	20,7	8,2	1450,0	22,7	9,0	1595,0
Alimentazione motore Motor supply Alimentación motor		45 l/min 11.8 US GPM		50 l/min 13.2 US GPM		55 l/min 14.5 US GPM		60 l/min 15.8 US GPM					



PBO SERIES

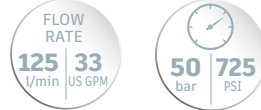
ALUMINUM BI-OXI



*:Ingombro del motore indicativo - Approximate motor dimensions - Dimensiones aproximadas del motor



PBO 1250

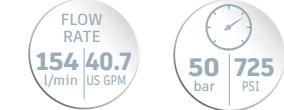


Cod.
37.5500.97.3

MOTOR TYPE
6
PAG. 5



PBO 1540



Cod.
41.7130.97.3

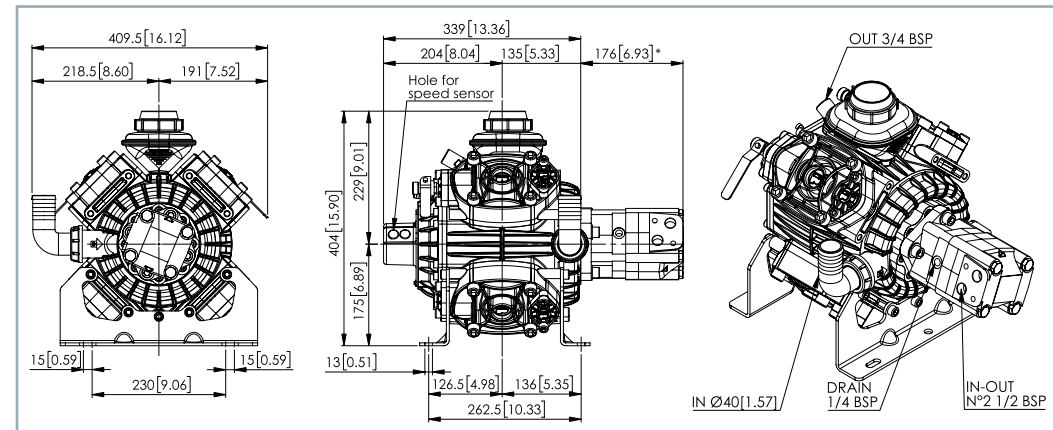
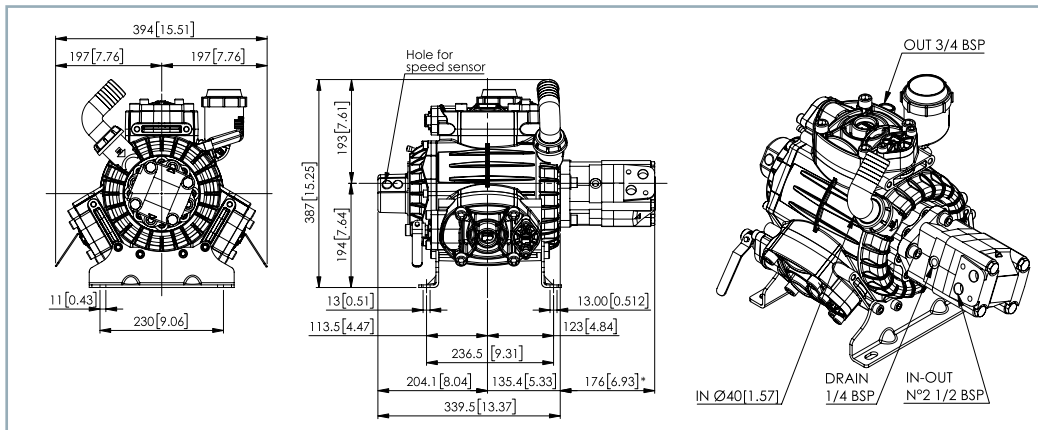
MOTOR TYPE
6
PAG. 5

Rendimenti - Performance - Rendimientos

bar	R.P.M.		400			450			500			550						
	PSI	US GPM	l/min	kW	hp	bar	l/min	kW	hp	bar	l/min	kW	hp	bar	l/min	kW	hp	
2		90,9	0,4	20,0	102,3	0,4	20,0	113,6	0,4	20,0	125,0	0,5	20,0					
29		24,0	0,5	290,0	27,0	0,5	290,0	30,0	0,6	290,0	33,0	0,7	290,0					
20		89,5	3,5	60,0	100,6	4,0	50,0	111,8	4,4	60,0	123,0	4,8	60,0					
40		23,6	4,7	870,0	26,6	5,3	725,0	29,5	5,9	870,0	32,5	6,5	870,0					
40		88,0	6,9	105,0	99,0	7,8	100,0	110,0	8,6	90,0	121,0	9,5	105,0					
50		23,2	9,2	1522,5	26,2	10,4	1450,0	29,1	11,5	1305,0	32,0	12,7	1522,5					
50		87,3	8,6	120,0	98,2	9,6	130,0	109,1	10,7	130,0	120,0	11,8	130,0					
725		23,1	11,4	1740,0	25,9	13,9	1885,0	28,8	14,3	1885,0	31,7	15,7	1885,0					
Alimentazione motore Motor supply Alimentación motor			55 l/min 14.5 US GPM			60 l/min 15.8 US GPM			70 l/min 18.5 US GPM			75 l/min 19.8 US GPM						

Rendimenti - Performance - Rendimientos

bar	R.P.M.		400			450			500			550						
	PSI	US GPM	l/min	kW	hp	bar	l/min	kW	hp	bar	l/min	kW	hp	bar	l/min	kW	hp	
2		112,0	0,4	20,0	126,0	0,5	20,0	140,0	0,5	20,0	154,0	0,6	20,0					
29		29,6	0,6	290,0	33,3	0,7	290,0	37,0	0,7	290,0	40,7	0,8	290,0					
20		109,1	4,3	60,0	122,7	4,8	80,0	136,4	5,4	60,0	150,0	5,9	60,0					
40		28,8	5,7	870,0	32,4	6,4	1160,0	36,0	7,2	870,0	39,6	7,9	870,0					
40		107,6	8,5	110,0	121,1	9,5	120,0	134,5	10,6	120,0	148,0	11,6	120,0					
50		28,4	11,3	1595,0	32,0	12,7	1740,0	35,5	14,1	1740,0	39,1	15,5	1740,0					
50		106,9	10,5	140,0	120,3	11,8	150,0	133,6	13,1	150,0	147,0	14,4	150,0					
725		28,2	14,0	2030,0	31,8	15,8	2175,0	35,3	17,5	2175,0	38,8	19,3	2175,0					
Alimentazione motore Motor supply Alimentación motor			55 l/min 14.5 US GPM			60 l/min 15.8 US GPM			70 l/min 18.5 US GPM			75 l/min 19.8 US GPM						



*: Ingombro del motore indicativo - Approximate motor dimensions - Dimensiones aproximadas del motor



IDB SERIES BRONZE



IDB 1100

FLOW RATE
110 29.1
l/min US GPM

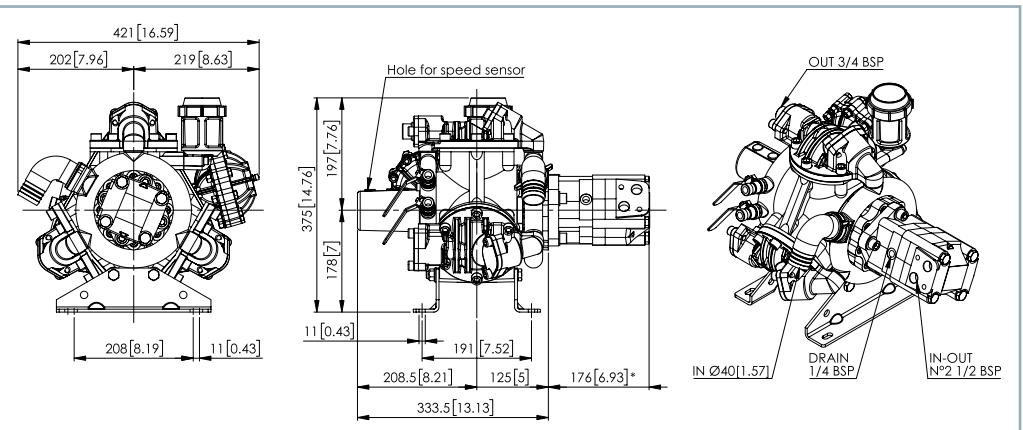
50 725
bar PSI

Cod.
48.7000.97.3

MOTOR TYPE
6
PAG. 5

Rendimenti - Performance - Rendimientos

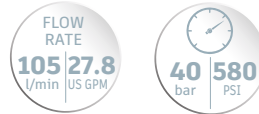
bar	R.P.M.		400			450			500			550		
	PSI	US GPM	l/min	kW	hp	bar	l/min	kW	hp	bar	l/min	kW	hp	bar
2		80,0	0,3	20,0	90,0	0,4	20,0	100,0	0,4	20,0	110,0	0,4	20,0	
	29	21,1	0,4	290,0	23,8	0,5	290,0	26,4	0,5	290,0	29,1	0,6	290,0	
20		79,0	3,1	50,0	88,0	3,5	60,0	98,0	3,9	70,0	108,0	4,2	60,0	
	290	20,8	4,1	725,0	23,3	4,6	870,0	25,9	5,2	1015,0	28,5	5,7	870,0	
40		77,0	6,1	90,0	87,0	6,8	105,0	96,0	7,6	105,0	106,0	8,3	90,0	
	580	20,4	8,1	1305,0	22,9	9,1	1522,5	25,5	10,1	1522,5	28,0	1,11	1305,0	
50		76,0	7,4	120,0	85,0	8,4	105,0	95,0	9,3	120,0	104,0	10,2	120,0	
	725	20,0	9,9	1740,0	22,5	11,2	1522,5	25,0	12,4	1740,0	27,5	13,6	1740,0	
Alimentazione motore Motor supply Alimentación motor			55 l/min 14.5 US GPM			60 l/min 15.8 US GPM			70 l/min 18.5 US GPM			75 l/min 19.8 US GPM		



*: Ingombro del motore indicativo - Approximate motor dimensions - Dimensiones aproximadas del motor



IDB 1104

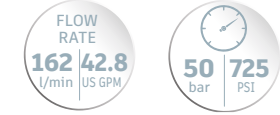


Cod.
36.7050.97.3

MOTOR TYPE
4
PAG. 5



IDB 1600

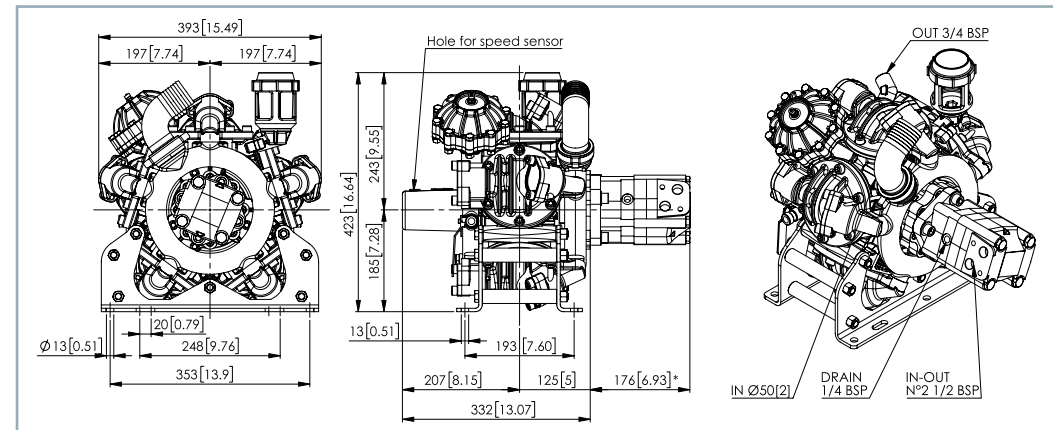
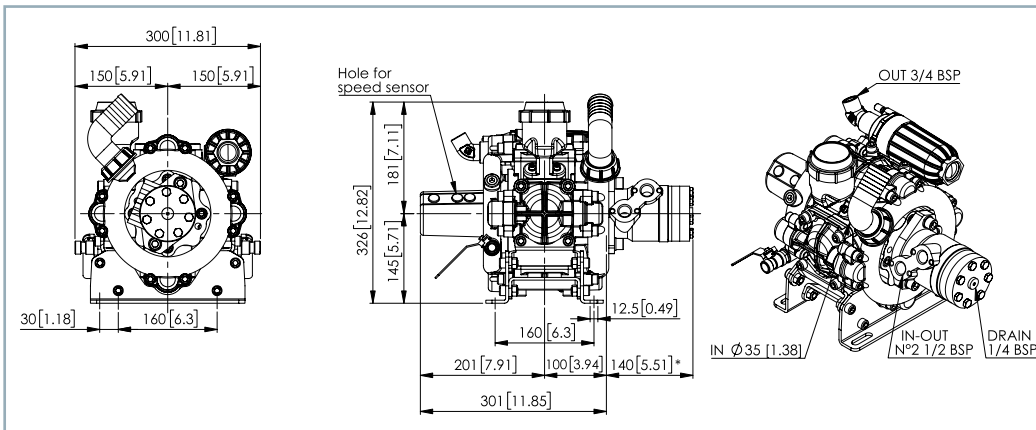


Cod.
49.6050.97.3

MOTOR TYPE
6
PAG. 5

Rendimenti - Performance - Rendimientos															
R.P.M.		400			450			500			550				
bar	PSI	l/min	US GPM	kW	hp	bar	PSI	US GPM	hp	bar	PSI	US GPM	hp	PSI	
2	29	76,4	20,2	0,3	0,4	20,0	29,0	58,9	22,7	0,5	0,5	29,0	25,2	0,5	29,0
20	290	74,9	19,8	2,9	3,9	70,0	101,0	84,3	22,3	3,3	4,4	70,0	93,6	3,7	70,0
30	435	73,5	19,4	4,3	5,8	90,0	130,0	82,6	21,8	4,9	6,5	90,0	91,8	5,4	80,0
40	580	72,0	19,0	5,7	7,6	110,0	159,0	81,0	21,4	6,4	8,5	110,0	90,0	7,1	120,0
Alimentazione motore Motor supply Alimentación motor		45 l/min 11.8 US GPM			50 l/min 13.2 US GPM			55 l/min 14.5 US GPM			60 l/min 15.8 US GPM				

Rendimenti - Performance - Rendimientos															
R.P.M.		400			450			500			550				
bar	PSI	l/min	US GPM	kW	hp	bar	PSI	US GPM	hp	bar	PSI	US GPM	hp	PSI	
2	29	118,0	31,1	0,5	0,6	20,0	29,0	133,0	35,0	0,7	0,7	29,0	147,0	0,6	20,0
20	290	116,0	30,6	4,5	6,1	80,0	116,0	130,0	34,4	5,1	6,8	101,0	145,0	5,7	60,0
40	580	113,0	30,0	8,9	11,9	120,0	174,0	128,0	33,7	10,0	13,4	140,0	142,0	11,1	120,0
50	725	112,0	29,6	11,0	14,7	140,0	203,0	126,0	33,3	12,4	16,5	160,0	140,0	13,7	160,0
Alimentazione motore Motor supply Alimentación motor		55 l/min 14.5 US GPM			60 l/min 15.8 US GPM			70 l/min 18.5 US GPM			75 l/min 19.8 US GPM				



*: Ingombro del motore indicativo - Approximate motor dimensions - Dimensiones aproximadas del motor

ACCESSORI DI SICUREZZA PER POMPE IDRAULICHE A MEMBRANA SAFETY ACCESSORIES FOR HYDRAULIC DIAPHRAGM PUMPS ACCESORIOS DE SEGURIDAD PARA BOMBAS HYDRAULICAS DE MEMBRANAS

Valvola di sicurezza 400

Per pompe di grande portata (fino a 400L/min.).
Valvola a taratura variabile direttamente in fase d'installazione.

Safety valve 400

For pumps performing high flow rate (up to 400 l/min).
It can be set directly during the installation.

Válvula de seguridad 400

Para bombas de gran caudal (hasta 400 l/min).
Válvula con calibración ajustable directamente durante la instalación.



Valvola di sicurezza - Safety valve - Válvula de seguridad



l/min	US GPM	Pressure		Codice Code Código
		bar	PSI	
150	39.6	6	87	24.3014.97.3
		15	217	24.3016.97.3
		18	261	24.3018.97.3
		20	290	24.3020.97.3
200	52.8	40	580	24.3040.97.3
		50	725	24.3050.97.3

Valvola di sicurezza 50 - Safety valve 50 Válvula de seguridad 50



l/min	US GPM	Pressure		Codice Code Código
		bar	PSI	
50	13.2	15	218	24.3200.97.3
		20	290	24.3201.97.3

l/min	US GPM	Pressure		Codice Code Código
		bar	PSI	
400	105	10	145	24.3110.97.3
		11	160	24.3111.97.3
		12	174	24.3112.97.3
		13	188	24.3113.97.3
		14	203	24.3114.97.3
		15	218	24.3115.97.3



1

Cuffie di protezione alberi VC (versione con albero passante), con predisposizione per installazione sensore di giri.
Cuffie incluse nei gruppi HYD forniti preassemblati.

Safety cones for shafts VC (version with through shaft), ready to accept mounting of speed sensor.
They are included in the HYD sets, supplied pre-assembled.

Protectores para eje VC (versión con eje pasante), con posibilidad de instalación de sensor de velocidad.
Protectores incluidos en los grupos HYD suministrados preassembledos.



2

Pompa Pump Bomba	Tipo Type Tipo	Codice Code Código
Poly 2120 - 2150 PBO - PPS	1	32.1074.97.3
Poly 2180 - 2210 2240 - 2260 - 2300 IDB	2	32.1075.97.3

Sensore induttivo di velocità

Applicabile sulle protezioni degli alberi passanti, incluse nei gruppi pompe HYD, per controllare il reale numero di giri della pompa in funzione e delle condizioni d'alimentazione del motore oleodinamico.

Inductive speed sensor

Mountable on the splined shaft protection, included in the HYD pump units, to check the real number of revolutions of the pump while working and the supply conditions of the hydraulic motor.

Sensor de velocidad inductivo

Se puede montar en la protección del eje estriado, incluida en los grupos de bombas HYD, para comprobar el número real de revoluciones de la bomba trabajando y las condiciones de alimentación del motor hidráulico.



Pompa - Pump - Bomba	Codice - Code - Código
Poly 2120 ÷ 2300 PBO - IDB - PPS	82.8498.00.2

Accessori per la realizzazione degli impianti:
Accessories for the construction of systems:
Accesorios para realizar las instalaciones:

AGRICULTURAL EQUIPMENT
MASTER CATALOGUE



ACCESSORI DI AZIONAMENTO - DRIVE ACCESSORIES - ACCESORIOS DE ACCIONAMIENTO

Flange per moltiplicatori

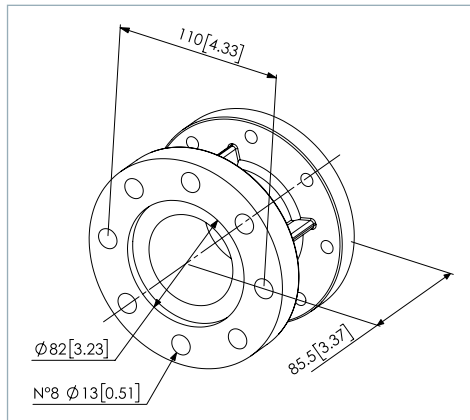
Adatte per il collegamento delle pompe standard Bertolini, (vedi catalogo generale), a moltiplicatori di giri commerciali, con albero femmina. Applicazione che permette di realizzare un circuito oleodinamico sulla macchina indipendente da quello del trattore.

Flanges for gearboxes

Suitable for connecting standard Bertolini pumps (see master catalogue) to commercial speed gearboxes with female shaft. Application that allows you to create a hydraulic circuit on the machine independent from that of the tractor.

Bridas para multiplicadores

Adecuadas para conectar bombas Bertolini estándar (ver catálogo general) a multiplicadores de velocidad comerciales, con eje hembra. Aplicación que permite crear un circuito hidráulico en la máquina independiente al del tractor.



Pompa Pump Bomba	Codice Code Código
POLY 2120-2150 (VD)	31.9125.97.3
IDB (VD)	31.8943.97.3
POLY 2210-2250-2260-2300 (VD)	31.8944.97.3
CKA 73-110-120	31.8958.97.3

Supporto per moltiplicatori

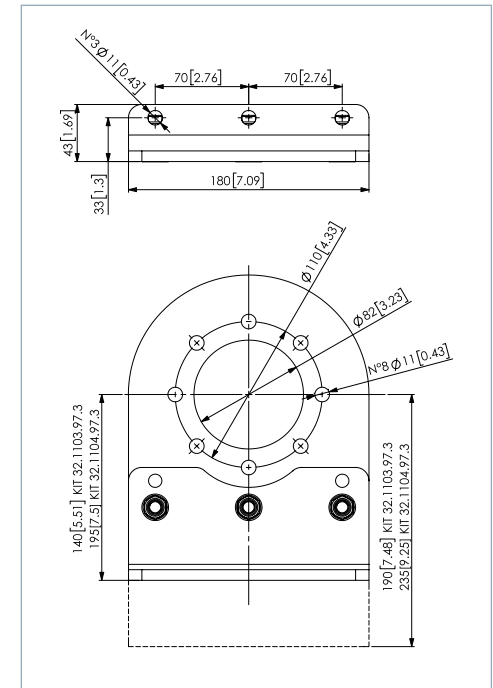
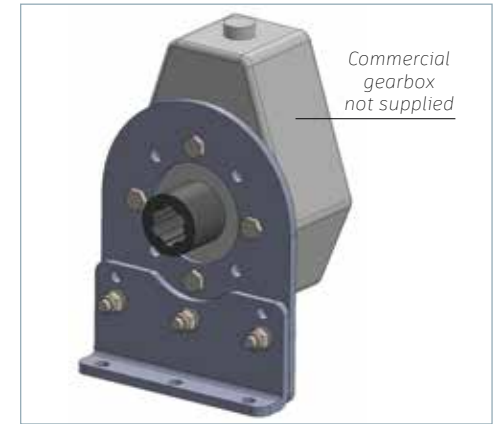
Supporti adatti al collegamento diretto delle pompe standard Bertolini (vedi catalogo generale) a moltiplicatori di giri commerciali con albero femmina. Applicazione che permette di realizzare un circuito oleodinamico sulla macchina indipendente da quello del trattore.

Gearboxes support

Supports suitable for the direct connection of Bertolini standard pumps (see master catalogue) to commercial gearboxes with female shaft. Application that allows you to create a hydraulic circuit on the machine independent from that of the tractor.

Soporte multiplicador

Soportes aptos para la conexión directa de bombas estándar Bertolini (ver catálogo general) a multiplicadores comerciales con eje hembra. Aplicación que permite crear un circuito hidráulico en la máquina independiente al del tractor.



Pompa Pump Bomba	Codice Code Código
POLY 2120-2150-2180 PPS- PA/S 930 PBO-IDB	32.1103.97.3
POLY 2210-2240-2260- 2300-2400 IDB 2600	32.1104.97.3

ACCESSORI DI AZIONAMENTO - DRIVE ACCESSORIES - ACCESORIOS DE ACCIONAMIENTO

Flange per pompe oleodinamiche

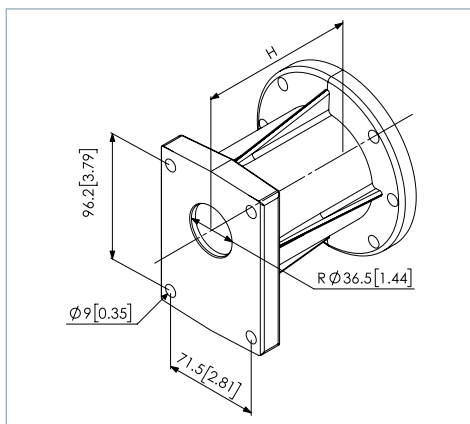
Adatte per il collegamento diretto delle pompe standard Bertolini (vedi catalogo generale) a pompe oleodinamiche. Applicazione che permette di realizzare un circuito oleodinamico sulla macchina indipendente da quello del trattore.

Flanges for hydraulic pumps

Suitable for direct connection of Bertolini standard pumps (see master catalogue) to hydraulic pumps. This application allows you to create a hydraulic circuit on the machine, independent from that of the tractor.

Bridas para bombas hidráulicas

Adecuado para la conexión directa de bombas estándar Bertolini (ver catálogo general) a bombas hidráulicas. Aplicación que permite crear un circuito hidráulico en la máquina independiente al del tractor.



Pompa oleodinamica Hydraulic Pump Bomba hidráulica	H (mm)	Pompa Bertolini Bertolini pump Bomba Bertolini	Codice Code Código
GRUPPO 2: Albero scanalato DIN 5482 (28x25 Z=15) GROUP 2: Splined shaft DIN 5482 (28x25 Z=15)	117	POLY 2180-2210- 2250-2260-2300 (VD)	31.8957.97.A
GRUPO 2: Eje estriado DIN 5482 (28x25 Z=15)	126	POLY 2400 (VD)	32.1211.97.3

Flange per motori oleodinamici

Adatte per l'azionamento delle pompe standard Bertolini (vedi catalogo generale) tramite motori oleodinamici di tipo orbitale. Questo accoppiamento permette di azionare le pompe Bertolini mediante il circuito oleodinamico del trattore/macchina.

Flanges for hydraulic motors

Suitable for driving standard Bertolini pumps (see master catalogue) via orbital-type hydraulic motors. This coupling allows the Bertolini pumps to be operated via the hydraulic circuit of the tractor/machine.

Bridas para motores hidráulicos

Adecuadas para accionar bombas Bertolini estándar (ver catálogo general) mediante motores hidráulicos de tipo orbital. Este acoplamiento permite accionar las bombas Bertolini a través del circuito hidráulico del tractor/máquina.



Albero Shaft Eje	Flangia Flange Brida	Per pompe For pumps Para bombas	Codice Code Código
Ø5/8" L=33.3	2 holes		32.1202.97.3
Ø16 L=33.3	C= Ø 63	MINIPOLY VF	32.1203.97.3
17x14 DIN5482 L=33.3	I= 80		32.1204.97.3
Ø1" L=78	SAE "B" C= Ø 101 I= 146	MINIPOLY VF PA 330.1-430.1-530-730.1 PA/S 830-930 VF-VC	31.8748.97.3
		POLY 2073-2085 VA	31.8749.97.3
		MINIPOLY VF PA 330.1-430.1-530-730.1 PA/S 830-930 VF-VC	32.1200.97.3
		POLY 2073-2085-2105 VS	32.1208.97.3
		POLY 2120-2150 VS	32.1212.97.3
		POLY 2073-2085 VA	32.1209.97.3
		POLY 2180-2210-2240-2260-2300 VD	31.8967.97.3
		PPS 100 VD IDB 1304 VD(*)	31.9121.97.3
		CKA (P*)	31.9223.97.3
		POLY 2073-2085-2105 VS	32.1210.97.3
		POLY 2120-2150 VS	32.1213.97.3
		POLY 2180-2210-2240-2260-2300 VD	31.8895.97.3
		MINIPOLY VF PA 330.1-430.1-530-730.1 PA/S 830-930 VF-VC	32.1201.97.3
		PPS 100 VD IDB 1304 VD(*)	31.9120.97.3
		PBO VD (*)	31.8899.97.3
		IDB 1100-1250-1400-1600-1800 VD (*) PPS 1211-1212-1613-1615 VD (*) POLY 2400.1 VD	31.1761.97.3
		CKA (P*)	32.1214.97.3
		POLY 2180-2210-2240-2260-2300 VD	31.8904.97.3
		PBO VD	31.8914.97.3
		PPS 100 VD IDB 1304 VD	31.8910.97.3
		IDB 1100-1250-1400-1600-1800 VD PPS 1211-1212-1613-1615 VD	31.1762.97.3
		POLY 2400.1 VD	

(*) Pompe che possono funzionare ad una pressione inferiore alla nominale causa prestazioni del motore insufficienti

L= lunghezza C= centraggio I=interasse.

(*) Pumps that can operate at a pressure lower than nominal due to insufficient motor performance

L= length C= centering I=center distance.

(*) Bombas que pueden funcionar a una presión inferior a la nominal debido a un rendimiento insuficiente del motor.

L= longitud C= centrado I=distancia del centro.

POMPE IDRAULICHE A PISTONI - HYDRAULIC PISTON PUMPS - BOMBAS HYDRAULICAS DE PISTONES

Pompe in configurazione base per applicazione motore oleodinamico

Y: pompe a pistoni con albero scanalato femmina SAE J 498 9T 16/32 DP o SAE J 498 13T 16/32 T.

Pumps in standard configuration for hydraulic motor application

Y: piston pumps with SAE J 498 9T 16/32 DP or SAE J 498 13T 16/32 T female splined shaft.

Bombas en configuración estándar para aplicación con motor hidráulico

Y: bombas de pistones con eje estriado hembra SAE J 498 9T 16/32 DP o SAE J 498 13T 16/32 T.



Modelli specifici per attacco a motore oleodinamico Specific models for coupling to hydraulic motor Modelos específicos para acoplamiento de motor hidráulico

Mod.	Cod.	Appl.
WHY*	02.6195.97.3	Diretta Direct Directo
THY*	07.3090.97.3	
TTHY	06.2100.97.3	
KHY	06.2110.97.3	
RHY	08.1150.97.3	

*: Manometro e kit piedini inclusi.
Pressure gauge and mounting rail kit included.
Manómetro y juego de pies incluidos.

Le specifiche costruttive delle pompe base e dei relativi accessori di completamento sono disponibili nel catalogo generale PISTON PUMPS.

The technical specifications of the standard pumps and related accessories are available in the Bertolini PISTON PUMPS master catalogue.

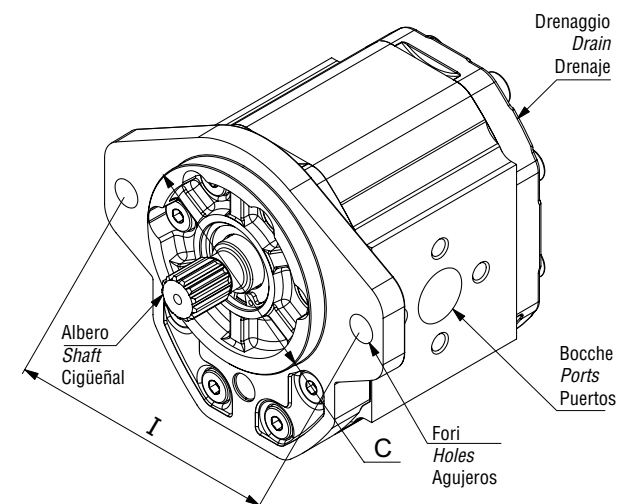
Las especificaciones técnicas de las bombas estándar y sus accesorios están disponibles en el catálogo general Bertolini PISTON PUMPS.



GRUPPI HYP: le pompe base indicate in tabella possono essere fornite già accoppiate al motore oleodinamico, dimensionato in funzione delle prestazioni specifiche di ogni modello.
HYP GROUPS: the standard pumps indicated in the table can be supplied already coupled to the hydraulic motor, sized according to the specific performance of each model.
GRUPOS HIP: las bombas estándares indicadas en la tabla se pueden suministrar ya acopladas al motor hidráulico, dimensionado según las prestaciones específicas de cada modelo.

MOTORI IDRAULICI AD INGRANAGGI - GEARS HYDRAULIC MOTORS - MOTORES HYDRAULICOS DE ENGRANAJES

Caratteristiche motore Motor specifications Características motor	Motor type 8	Motor type 9	Motor type 10
Cod.	83.2349.00.2	83.2380.00.2	83.2381.00.2
Tipo Type Tipo	GR.2 Gear - Enganajes	GR.3 Gear - Enganajes	GR.3 Gear - Enganajes
Cilindrata Displacement Cilindrada	19.2 CC (Gr.2)	33 CC (Gr.3)	44 CC (Gr.3)
Albero Shaft Cigüeñal	SAE J 498 9T 16/32 DP	SAE J 498 13T 16/32 DP	SAE J 498 13T 16/32 DP
Flangia Flange Brida	SAE "A" C=Ø82.5 I=106.4	SAE "B" C=Ø101.6 I=146	SAE "B" C=Ø101.6 I=146
Fori Holes Agujeros	Nr.2 Ø11.5	Nr.2 Ø14.5	Nr.2 Ø14.5
Bocche Ports Puertos	Nr.2 - 1/2" BSP 90°	Nr.2 - 1" BSP	Nr.2 - 1" BSP
Drenaggio Drain Drenaje	Nr.1 - 1/4" BSP	Nr.1 - 3/8" BSP	Nr.1 - 3/8" BSP
Rotazione Rotation Rotación		Reversibile Reversible Reversible	



Legenda - Legend - Leyenda

S: Sporgenza - Projection - Proyección

C: Centraggio - Centering - Centrado

I: Interasse - Centers - Distancia entre ejes

WHY 1520

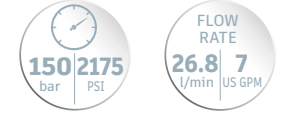


Cod.
02.6196.97.3



MOTOR TYPE
8
PAG. 28

THY 2715



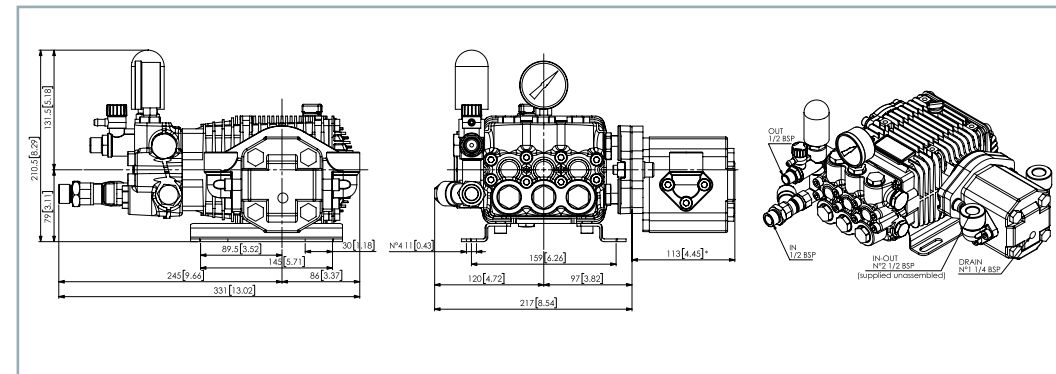
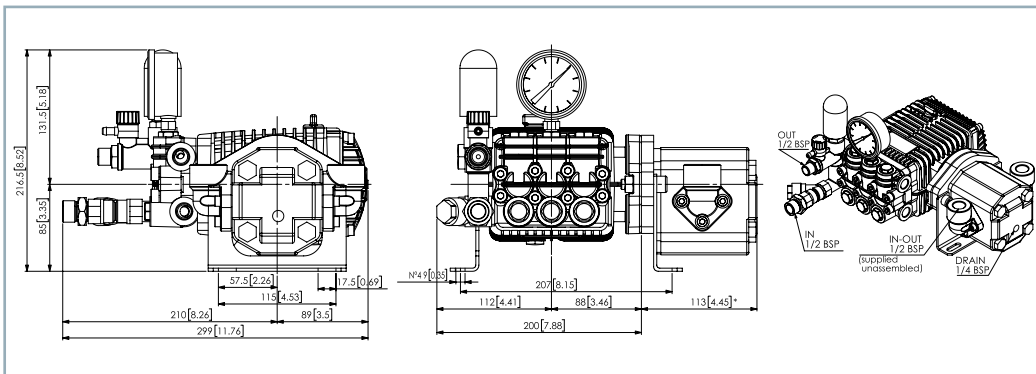
Cod.
07.3091.97.3



MOTOR TYPE
8
PAG. 28

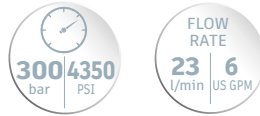
Rendimenti - Performance - Rendimientos													
950 RPM				1450 RPM				1725 RPM				Alimentazione motore Motor supply Alimentación motor	
l/min	GPM	kW	hp	l/min	GPM	kW	hp	l/min	GPM	kW	hp	bar	PSI
8,6	2,3	3,4	4,5	12,9	3,4	5,1	6,8	14,9	3,9	5,8	7,8	120	
18 l/min				28 l/min				34 l/min					
4.8 US GPM				10 US GPM				9 US GPM				1740	

Rendimenti - Performance - Rendimientos													
950 RPM				1450 RPM				1725 RPM				Alimentazione motore Motor supply Alimentación motor	
l/min	GPM	kW	hp	l/min	GPM	kW	hp	l/min	GPM	kW	hp	bar	PSI
15,5	4,1	4,6	6,1	23,2	6,1	6,8	9,2	26,8	7,1	7,9	10,6	180	
18 l/min				28 l/min				34 l/min					
4.8 US GPM				10 US GPM				9 US GPM				2610	



*: Ingombro del motore indicativo - Approximate motor dimensions - Dimensiones aproximadas del motor

TTHY 2330



Cod.

06.2101.97.3



MOTOR TYPE
9
PAG. 28

KHY 5016



Cod.

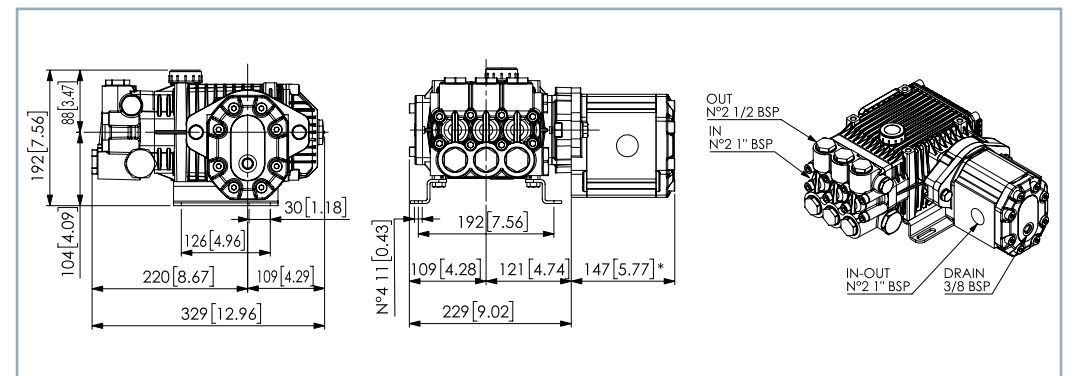
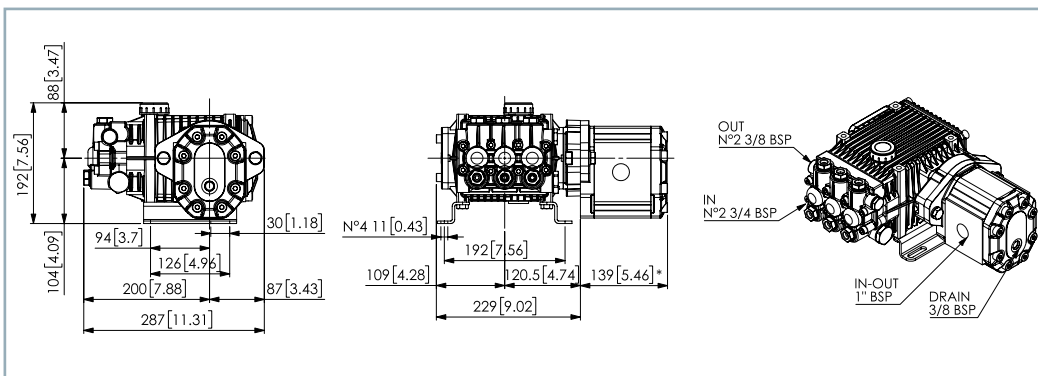
06.2111.97.3



MOTOR TYPE
10
PAG. 28

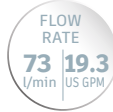
Rendimenti - Performance - Rendimientos													Alimentazione motore Motor supply Alimentación motor	
950 RPM				1450 RPM				1725 RPM				bar	PSI	
l/min	GPM	kW	hp	l/min	GPM	kW	hp	l/min	GPM	kW	hp			
13	3,4	7,6	10,2	20	5,3	11,5	15,4	23	6,1	13,6	18,2	170		
30 l/min				45 l/min				55 l/min						
8 US GPM				11.8 US GPM				14.5 US GPM				2466		

Rendimenti - Performance - Rendimientos													Alimentazione motore Motor supply Alimentación motor	
950 RPM				1200 RPM				1450 RPM				bar	PSI	
l/min	GPM	kW	hp	l/min	GPM	kW	hp	l/min	GPM	kW	hp			
32	8,5	9,9	13,3	41,4	10,9	12,4	16,6	50	13,2	15	20,1	170		
40 l/min				60 l/min				70 l/min						
10.6 US GPM				15.8 US GPM				18.5 US GPM				2466		



* Ingombro del motore indicativo - Approximate motor dimensions - Dimensiones aproximadas del motor

RHY 7515



Cod.
08.1151.97.3



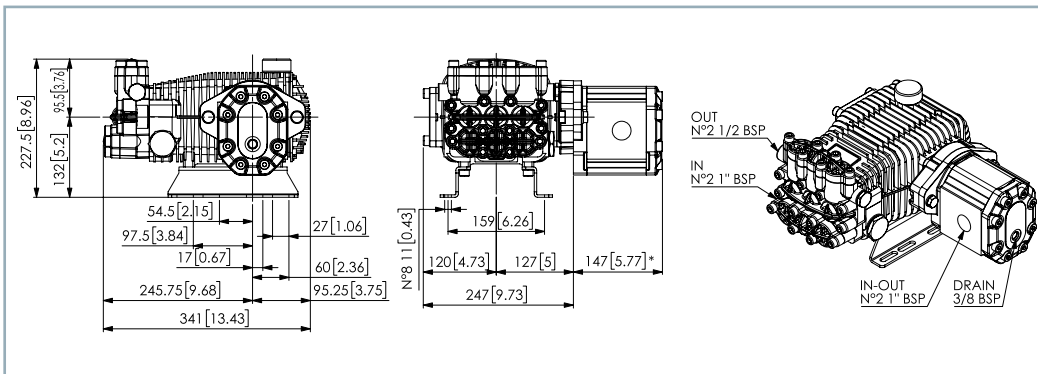
MOTOR TYPE
10
PAG. 28

BERTOLINI
pumps

A pump for every need

Rendimenti - Performance - Rendimientos

950 RPM				1200 RPM				1450 RPM				Alimentazione motore Motor supply Alimentación motor	
l/min	GPM	kW	hp	l/min	GPM	kW	hp	l/min	GPM	kW	hp	bar	PSI
49	12.9	14.4	19.3	61	16.1	18	24.1	73	19.3	21.5	28.8	250	3626
40 l/min				60 l/min				70 l/min					
10.6 US GPM				15.8 US GPM				18.5 US GPM					



*: Ingombro del motore indicativo - Approximate motor dimensions - Dimensiones aproximadas del motor



ACCESSORI DI REGOLAZIONE E SICUREZZA REGULATING AND SAFETY ACCESSORIES ACCESORIOS DE REGULACION Y SEGURIDAD

VALVOLE DI REGOLAZIONE PRESSIONE PRESSURE REGULATING VALVES VALVULAS DE REGULACIÓN PRESIÓN	Pompa Pump Bomba	Codice Code Código	Codice Code Código
	WHY-THY	APR.	Inclusa <i>Included</i> Incluida
	TTHY	VD 25/350	06.9818.97.3
	KHY-RHY	VD 110/200	08.9832.97.3

VALVOLE DI SICUREZZA SAFETY VALVES VALVULAS DE SEGURIDAD	Pompa Pump Bomba	Codice Code Código	Codice Code Código
	WHY-THY	VS 250	86.1670.00.2
	TTHY	VS 350	86.1676.00.2
	KHY-RHY	VS 180	86.1779.00.2

COMPONENTI PER SISTEMI OLEODINAMICI COMPONENTS FOR HYDRAULIC SYSTEMS COMPONENTES PARA SISTEMAS HIDRÁULICOS

Flangiatura con giunto elastico per motori idraulici

Flange con giunto elastico per l'azionamento delle pompe Bertolini standard (vedi catalogo generale) tramite motori oleodinamici, utilizzando il circuito nativo della macchina.



Flange with flexible coupling for hydraulic motors

Flanges with flexible coupling for driving standard Bertolini pumps (see master catalogue) via hydraulic motors, using the machine's native circuit.

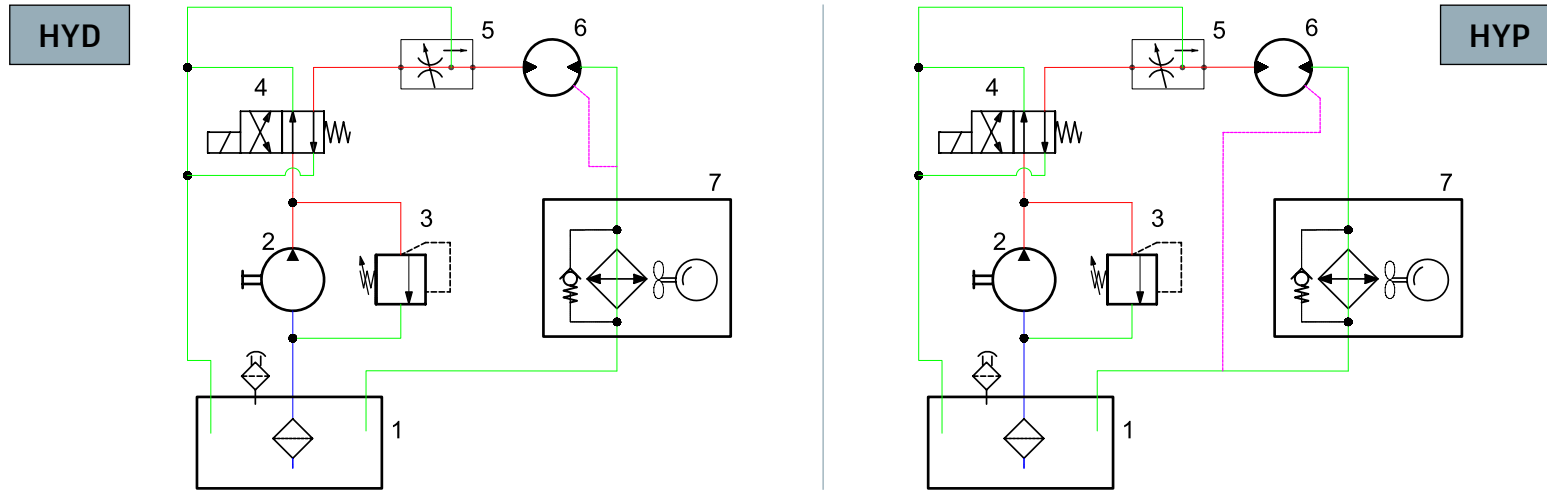
Brida con junta elástica para motores hidráulicos

Bridas con junta elástica para accionamiento de bombas Bertolini estándar (ver catálogo general) mediante motores hidráulicos, utilizando el circuito propio de la máquina.

Codice Code	Motore Idraulico - Hydraulic motor			Pompe - Pumps					Coppia max.
	Tipo Frame	Albero Shaft	Flangia Bell housing	TTL	TTL-TTK KTL-KKL	RAL-RA RBL-RBS RD-RX	KA	CKI CAI (*)	
31.9211.97.3	GRUPPO 2 GROUP 2	3/4" SAE A CILINDRICO SOLID SHAFT 3/4" SAE A	SAE A (CENTRAGGIO Ø82.55mm) 2 FORI (INTERASSE 106.2mm) SAE A (CENTERING Ø82.55mm) 2 HOLES (DISTANCE 106.2mm)	•					50Nm
31.9212.97.3	GRUPPO 3 GROUP 3	1" SAE BB CILINDRICO SOLID SHAFT 1" SAE BB	SAE B (CENTRAGGIO Ø101.6mm) 2 FORI (INTERASSE 146mm) SAE B (CENTERING Ø101.6mm) 2 HOLES (DISTANCE 146mm)		•		•		120Nm
31.9213.97.3						•			120Nm
31.9214.97.3						•			230Nm
31.9215.97.3								•	120Nm
31.9216.97.3							•	230Nm	
31.9217.97.3	Motore orbitale Orbital motor OMR-OMS							•	230Nm

(*) POMPE IN VERSIONE PER MOTORE IDRAULICO - PUMPS FOR HYDRAULIC MOTOR

INDICAZIONI CIRCUITI OLEODINAMICI - INFORMATION ABOUT HYDRAULIC CIRCUITS INFORMACIONES SOBRE CIRCUITOS HIDRÁULICOS



Legenda componenti:

1. Serbatoio olio completo di filtro, di capacità almeno tre volte rispetto alla portata richiesta per il funzionamento del motore idraulico.
2. Pompa idraulica con prestazioni adeguate al funzionamento del motore idraulico in funzione delle caratteristiche di quest'ultimo. (La pompa idraulica può essere una pompa dedicata per questa applicazione oppure l'alimentazione del motore può essere presa direttamente dall'impianto idraulico del trattore, camion o macchina).
3. Valvola di regolazione massima pressione per salvaguardare l'impianto da sovrappressioni e calibrare la pressione di lavoro del motore al fine di erogare la potenza richiesta dalla pompa Bertolini.
4. Attuatore manuale o elettrico per azionare il motore idraulico
5. Regolatore di flusso unidirezionale compensato, per calibrare la portata d'olio per l'azionamento del motore e conseguentemente tarare il numero di giri del motore.
6. Motore idraulico per azionamento pompa Bertolini di dimensioni e caratteristiche adeguate alla tipologia di pompa che si deve azionare.
7. Scambiatore di calore completo di by-pass ad azionamento elettrico, per il mantenimento costante della temperatura dell'olio.

Components key:

1. Oil tank with filter, capacity at least three times the flow rate required for the operation of the hydraulic motor.
2. Hydraulic pump with adequate performance for the hydraulic motor operation based on its characteristics. (The hydraulic pump can be a dedicated pump for this application or the motor power can be taken directly from the hydraulic system of the tractor, truck or machine).
3. Pressure relief valve used to protect the system from overpressure and adjust the working pressure of the motor to allow it to deliver the power required by the Bertolini pump.
4. Manual or electric actuator to run the hydraulic motor
5. Compensated unidirectional flow regulator, to adjust the oil flow rate for the motor operation and consequently set the motor RPM.
6. Hydraulic motor to drive the Bertolini pump of dimensions and characteristics suitable for the type of pump to be operated.
7. Heat exchanger with electrically operated by-pass, for maintaining constant oil temperature.

Indice de los componentes:

1. Tanque de aceite completo con filtro, de capacidad al menos tres veces mayor del caudal requerido para el funcionamiento del motor hidráulico.
2. Bomba hidráulica con rendimiento adecuado para el funcionamiento del motor hidráulico dependiendo de sus características (la bomba hidráulica puede ser una bomba dedicada para esta aplicación o la alimentación del motor puede tomarse directamente del sistema hidráulico del tractor, camión o coche).
3. Válvula reguladora de máxima presión para proteger el sistema de sobrepresiones y calibrar la presión de trabajo del motor para permitirle entregar la potencia requerida por la bomba Bertolini.
4. Encendido manual o eléctrico para accionar el motor hidráulico.
5. Regulador de flujo unidireccional compensado, para calibrar el caudal de aceite necesario a accionar el motor y consecuentemente calibrar su número de revoluciones.
6. Motor hidráulico para accionar la bomba Bertolini de dimensiones y características adecuadas al tipo de bomba a operar.
7. Intercambiador de calor completo con by-pass accionado eléctricamente, para mantener constante la temperatura del aceite.

Legenda dei colori - Colors key - Leyenda colores

	Circuito aspirazione	Suction circuit	Circuito de aspiración
	Circuito di scarico	Discharge circuit	Circuito de salida
	Circuito di mandata	High-pressure circuit	Circuito de entrega
	Drenaggio motore idraulico (da collegare obbligatoriamente allo scarico)	Drainage of hydraulic motor (it must be connected to the drain)	Drenaje del motor hidráulico (debe estar conectado a la salida)

COMPONENTI PER LA REALIZZAZIONE DEI CIRCUITI DI AZIONAMENTO DEI MOTORI OLEODINAMICI COMPONENTS FOR THE CONSTRUCTION OF HYDRAULIC MOTOR DRIVE CIRCUITS COMPONENTES PARA LA CREACIÓN DE CIRCUITOS DE ACCIONAMIENTO DE LOS MOTORES HIDRÁULICOS


Condizioni di lavoro non corrette e/o incostanti compromettono l'affidabilità dell'applicazione per le quali non possiamo rispondere con la relativa garanzia. Per questo motivo consigliamo di installare la corretta componentistica per il controllo e la regolazione dell'impianto. In funzione delle esigenze del cliente, Idromeccanica Bertolini può fornire una gamma completa di prodotti per la realizzazione dei circuiti oleodinamici ed il controllo dei motori così da assicurare il corretto funzionamento delle nostre pompe in qualsiasi condizione.

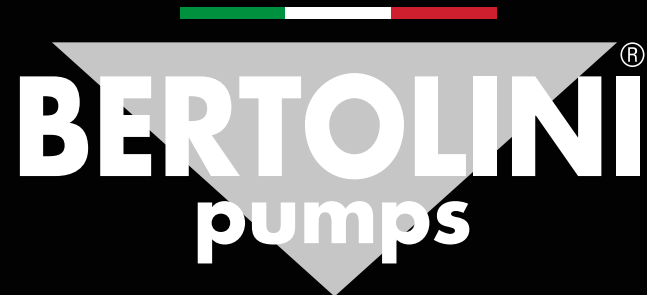
Incorrect and/or inconsistent working conditions compromise the reliability of the application for which we are not allowed to accept warranty. For this reason, we recommend installing the correct components for the control and regulation of the system. Depending on the customer's needs, Idromeccanica Bertolini can supply a complete range of products for the construction of hydraulic circuits and the control of motors so as to ensure the correct operation of our pumps in any condition.

Unas condiciones de trabajo incorrectas y/o irregulares comprometen la fiabilidad general de la aplicación por lo que no podemos responder con la garantía correspondiente. Por este motivo recomendamos instalar los componentes correctos para controlar y regular el sistema. Dependiendo de las necesidades del cliente, Idromeccanica Bertolini puede ofrecer una gama completa de productos para la realización de circuitos hidráulicos y control de motores para garantizar el correcto funcionamiento de nuestras bombas en cualquier condición.

	<p>Valvole di massima pressione ad azionamento diretto: servono per tarare la massima pressione che si può generare nel circuito per far funzionare il motore nei ranges corretti. Possono essere installate in linea sulle tubazioni, o direttamente flangiate sui motori orbitali (solo per tipologie di motori 2÷6) in funzione dello spazio e delle esigenze.</p>	<p><i>Directly operated pressure relief valves: used to set the maximum pressure that can be generated in the circuit to operate the motor in the correct ranges. They can be installed in-line on the pipes, or directly flanged on the orbital motors (only for motor types 2÷6) depending on space and needs.</i></p>	<p>Válvulas de máxima presión de accionamiento directo: se utilizan para calibrar la presión máxima que se puede tener en el circuito para que el motor funcione en los rangos correctos. Pueden instalarse en línea sobre tuberías, o directamente embreadadas sobre motores orbitales (sólo para motores tipo 2÷6) según espacio y necesidades.</p>
	<p>Valvole di regolazione flusso unidirezionali compensate: servono per mantenere costante la portata di alimentazione del motore, a prescindere dal valore in ingresso. Valvole indispensabili per mantenere costante il regime di rotazione della pompa Bertolini. Si possono installare in linea sulle tubazioni, o direttamente flangiate sui motori orbitali (solo per tipologie di motori 2÷6), in funzione dello spazio e delle esigenze.</p>	<p><i>Compensated one-way flow control valves: used to keep the motor power flow rate constant, regardless of the input value. Essential valves to keep the Bertolini pump rotation speed constant. They can be installed in-line on the pipes, or directly flanged on the orbital motors (only for motor types 2÷6) depending on space and needs.</i></p>	<p>Válvulas de regulación de caudal unidireccional compensadas: se utilizan para mantener constante el caudal de alimentación del motor, independientemente del valor de entrada. Válvulas imprescindibles para mantener constante la velocidad de rotación de la bomba Bertolini. Pueden instalarse en línea sobre las tuberías, o directamente embreadadas sobre los motores orbitales (sólo para motores tipo 2÷6) según el espacio y las necesidades.</p>
	<p>Valvole flangiabili integrali: dove e quando è possibile l'installazione di valvole flangiate direttamente sul motore idraulico orbitale (solo per tipologie di motori 2÷6) possono essere prese in considerazione anche valvole singole con integrate le due funzionalità descritte per le valvole singole.</p>	<p><i>Integral flanged valves: where and when it is possible to install flanged valves directly on the orbital hydraulic motor (only for motor types 2÷6), single valves with the two functions described for the single valves integrated can also be taken into consideration.</i></p>	<p>Válvulas embreadadas integrales: donde y cuando sea posible instalar válvulas embreadadas directamente en el motor hidráulico orbital (sólo para los tipos de motor 2÷6), también se pueden considerar válvulas individuales con integradas las dos funciones descritas para las válvulas individuales.</p>

COMPONENTI GENERICI GENERIC COMPONENTS COMPONENTES GENÉRICOS

	<p>Tubi pre-raccordati realizzabili sulla base del disegno fornito dal cliente.</p>	<p><i>Pre-connected hoses: they can be provided based on the drawing supplied by customer.</i></p>	<p>Se pueden fabricar tuberías preconectadas según plano proporcionado por el cliente.</p>
	<p>Pompe per l'alimentazione del motore idraulico e altri componenti della macchina che possono essere forniti con flangiatura e albero in funzione delle esigenze di adattamento al sistema di azionamento.</p>	<p><i>Pumps for feeding the hydraulic motor and other machine components that can be supplied with flanges and shafts depending on the needs of adaptation to the drive system.</i></p>	<p>Las bombas para alimentación del motor hidráulico y otros componentes de la máquina pueden suministrarse con brida y eje según las necesidades de adaptación al sistema de accionamiento.</p>
	<p>Distributori manuali o elettrici per l'attivazione della linea di azionamento del motore.</p>	<p><i>Manual or electric distributors for activating the motor drive line.</i></p>	<p>Distribuidores manuales o eléctricos para activar la línea de accionamiento del motor.</p>
	<p>Scambiatori di calore aria-olio per il controllo e il mantenimento della temperatura dell'olio all'interno dei range corretti. Azionamento elettrico 12Vdc con termostato integrato.</p>	<p><i>Air-oil heat exchangers for controlling and keeping the oil temperature within the correct ranges. 12Vdc electric drive with integrated thermostat.</i></p>	<p>Intercambiadores de calor aire-aceite para controlar y mantener la temperatura del aceite dentro de los rangos correctos. Accionamiento eléctrico de 12Vdc con termostato integrado.</p>
	<p>Motori orbitali in versione speciale forniti con sensore di giri integrato. Soluzione che permette di tarare e monitorare facilmente il numero di giri della pompa. Collegabili all'elettronica della macchina o a sistemi di controllo Bertolini. Opzione su richiesta.</p>	<p><i>Special version orbital motors supplied with integrated RPM sensor. Solution that allows you to easily set and monitor the pump RPM. They can be connected to the machine electronics or to the Bertolini control systems. Option on request.</i></p>	<p>Motores orbitales en versión especial suministrados con sensor de revoluciones integrado. Solución que permite calibrar y monitorear fácilmente el número de revoluciones de la bomba. Se puede conectar a la electrónica de la máquina o a los sistemas de control Bertolini. Opción bajo petición.</p>



Idromeccanica Bertolini S.p.A.
Via Cafero, 20
42124 Reggio Emilia (RE) Italy
www.bertolinipumps.com
www.chemicalpolypumps.com
email@bertolinipumps.com

Bertolini Do Brasil (Brazil)
www.bertolinipumps.com.br

Bertoservice (Russia)
www.bertoservice.ru

Altek GmbH (Germany)
www.altek-gmbh.de



31.9818.00.2B