

# VD 140 – VD 200 – VD 280 (30 L/Min-280 BAR)

# VD 140 – VD 200 – VD 280 (30 L/Min-280 BAR)

30 L/min  
8,0 USGPM



max 280 BAR  
4000 P.S.I.

APPLICAZIONI - APPLICATIONS



AGRICOLTURA  
AGRICULTURE



SPRAYER  
SPRAYER



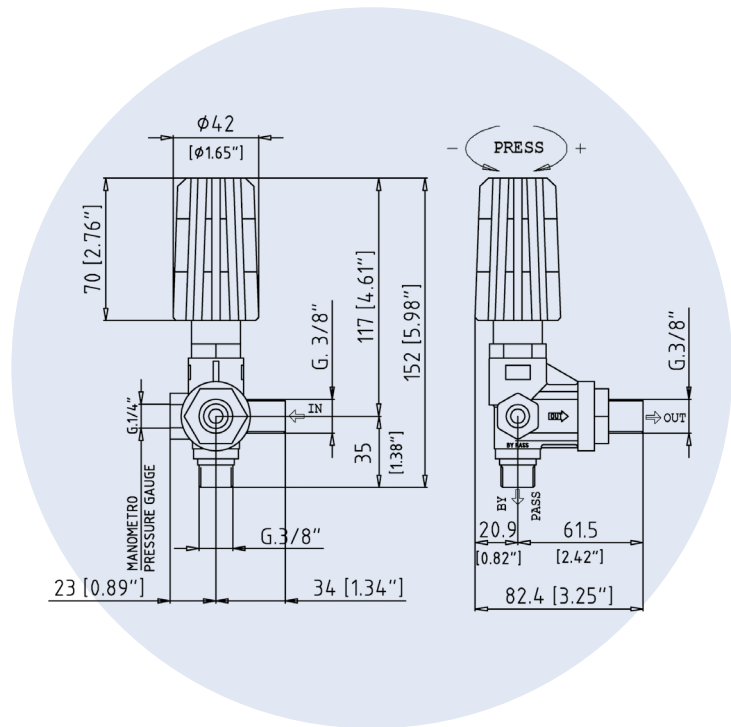
DISINFESTAZIONE  
DISINFESTATION



ATOMIZZATORI  
ATOMIZERS

Valvole regolazione pressione con by-pass esterno.

Unloader valves with external by-pass.



VALVOLE REGOLAZIONE PRESSIONE CON BY-PASS ESTERNO  
UNLOADER VALVES WITH EXTERNAL BY-PASS  
RÉGULATEURS DE PRESSION SÉPARÉS DE LA CULASSE  
VÁLVULAS DE REGULACIÓN DE PRESIÓN

TEMPERATURA MAX: 60°C - 140°F  
MAX TEMPERATURE: 60°C - 140°F  
TEMPÉRATURE MAXI: 60°C - 140°F  
TEMPERATURA MÁX: 60°C - 140°F

Cod. Part Number	Modello Model	Pressione Max Max Pressure		Portata Flow		Attacco pompa Port size	Uscita Outlet	Scarico By-pass	Peso Weight	
		bar	psi	l/min	GPM				Kg	lbs
05.9899.97.3	VD 140	140	2000	30	8.0	3/8 BSP - M	3/8 BSP - M	3/8 BSP - M	0.73	1.6
05.9903.97.3	VD 200	210	3000	30	8.0	3/8 BSP - M	3/8 BSP - M	3/8 BSP - M	0.73	1.6
05.9955.97.3	VD 280	280	4000	30	8.0	3/8 BSP - M	3/8 BSP - M	3/8 BSP - M	0.73	1.6