

# Poly Series

## Poly 2400.1



379 l/m  
100.1 USGPM



max 15 BAR  
218 P.S.I.

### APPLICAZIONI - APPLICATIONS



SPRAYER  
SPRAYER



TRAVASI  
TRANSFERS



DISINFESTAZIONE  
DISINFESTATION

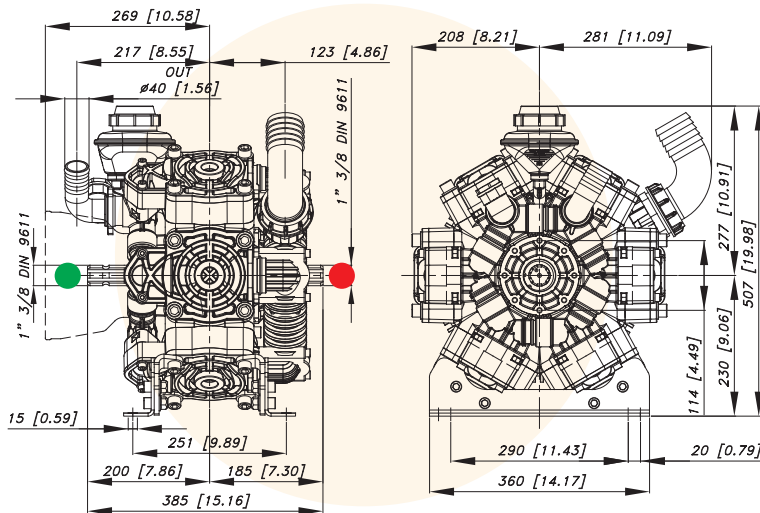
### MEMBRANE - MEMBRANES



DESMOPAN

HPS

VITON

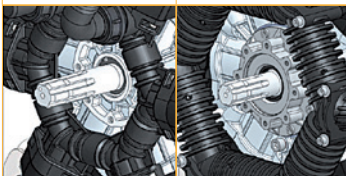


| CARATTERISTICHE TECNICHE<br>SPECIFICATIONS | 550 g/min.<br>550 R.P.M. |                                | TABELLA RENDIMENTI<br>PERFORMANCE CHART |                |             |                |             |                |              |                |              |
|--|--------------------------|--------------------------------|---|----------------|-------------|----------------|-------------|----------------|--------------|----------------|--------------|
|  | Potenza - Power          | 11,1 KW<br>14,8 HP             | g/min<br>R.P.M.                         | 400            |             | 450            |             | 500            |              | 550            |              |
| Peso - Weight                              | 45 Kg                    | 99,2 lb                        | BAR<br>P.S.I.                           | L/min<br>USGPM | KW<br>HP    | L/min<br>USGPM | KW<br>HP    | L/min<br>USGPM | KW<br>HP     | L/min<br>USGPM | KW<br>HP     |
| IN   | $\varnothing 60$ mm      | $\varnothing 2\frac{3}{8}$ in  | 2<br>29                                 | 276<br>72,8    | 1,1<br>1,4  | 310<br>81,9    | 1,2<br>1,6  | 345<br>91,0    | 1,4<br>1,8   | 379<br>100,1   | 1,5<br>2,0   |
| Pressione Min - Min Pressure               | -0.15 BAR                | - 2,17 P.S.I.                  | 5<br>72,5                               | 273<br>72,1    | 2,7<br>3,6  | 307<br>81,1    | 3,0<br>4,0  | 341<br>90,1    | 3,3<br>4,5   | 375<br>99,1    | 3,7<br>4,9   |
| Pressione Max - Max Pressure               | 1 BAR                    | 14.5 P.S.I.                    | 10<br>145                               | 270<br>71,3    | 5,3<br>7,1  | 303,5<br>80,2  | 6,0<br>8,0  | 337<br>89,1    | 6,6<br>8,8   | 371<br>98,0    | 7,3<br>9,7   |
| OUT  | $\varnothing 40$ mm      | $\varnothing 1\frac{9}{16}$ in | 15<br>218                               | 274<br>72,4    | 8,1<br>10,8 | 308<br>81,5    | 9,1<br>12,1 | 343<br>90,5    | 10,1<br>13,5 | 377<br>99,6    | 11,1<br>14,8 |
| Max. Temperatura - Max. Temperature        | 60 °C                    | 140 °F                         |   |                |             |                |             |                |              |                |              |
| Tipo olio - Oil type                       | SAE 30                   |                                |   |                |             |                |             |                |              |                |              |
| Capacità olio - Oil capacity               | 4,36 lt                  | 1,12 U.S.G.                    |   |                |             |                |             |                |              |                |              |

### Versioni Versions

15.1050.97.A - VD

14.7000.97.3 - VD



Anteriore/Front

Posteriore/Rear



POLY Series

