

# Power Unit CK 3003 PU CK 2220.1-150



80 l/m  
21.1 USGPM



max 150 BAR  
2175 P.S.I.

## APPLICAZIONI - APPLICATIONS



ANTINCENDIO  
FIRE PREVENTION



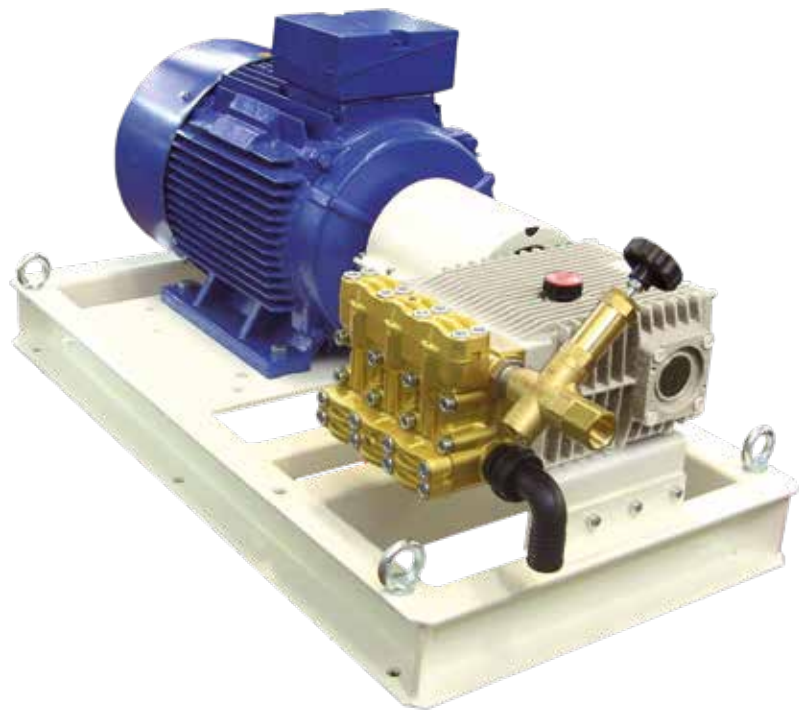
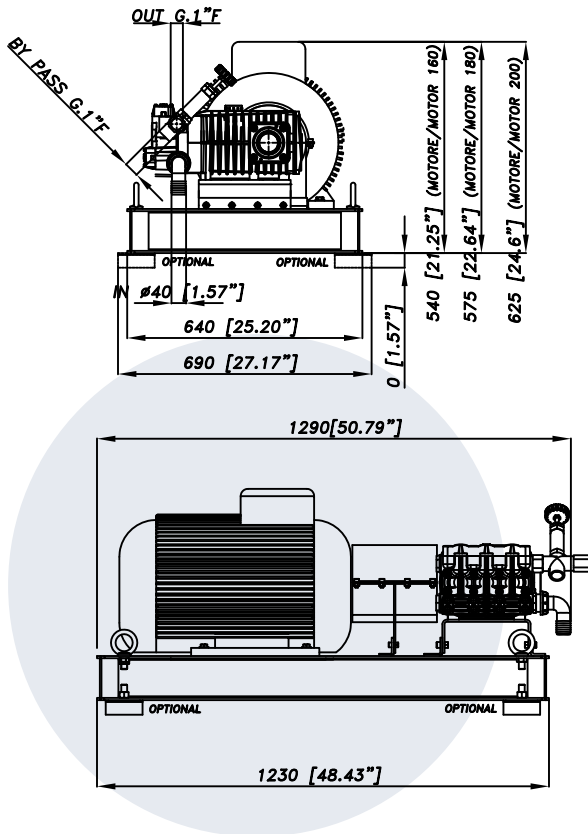
INSTALLAZIONI NAVALI  
NAVAL INSTALLATIONS



PROCESSI INDUSTRIALI  
INDUSTRIAL PROCESSES



INSTALLAZIONI AEREOPORTUALI  
AIRPORT INSTALLATIONS



## CARATTERISTICHE TECNICHE SPECIFICATIONS

|  |                      |                  |
|--|----------------------|------------------|
| <b>Peso - Weight</b>                       | <b>65 Kg</b>         | 143 lb           |
| <b>Misure - Size</b>                       | <b>1230x640mm</b>    | 48.43"x25.20" in |
| <b>IN</b>                                  | <b>1" 1/2 BSP</b>    |                  |
| <b>Pressione Min - Min Pressure</b>        | <b>-0,2 BAR</b>      | -3 P.S.I.        |
| <b>Pressione Max - Max Pressure</b>        | <b>6 BAR</b>         | 87 P.S.I.        |
| <b>OUT</b>                                 | <b>3/4 BSP</b>       |                  |
| <b>Valvola fuori - Valve out</b>           | <b>1" BSP</b>        |                  |
| <b>Valvola by-pass - Valve by-pass</b>     | <b>1" BSP</b>        |                  |
| <b>Max. Temperatura - Max. Temperature</b> | <b>60 °C</b>         | 140 °F           |
| <b>Tipo olio - Oil type</b>                | <b>SAE 75 - W 90</b> |                  |
| <b>Capacità olio - Oil capacity</b>        | <b>2,8 lt</b>        | 0.74 U.S.G.      |

TABELLA RENDIMENTI  
PERFORMANCE CHART

| CODICI<br>CODES                             |                          |   | POMPA<br>PUMP | MOTORE TRIFASE<br>THREE-PHASE MOTOR |      |      | RPM  | PRESSIONE<br>PRESSURE |        | PORTATA<br>FLOW |      | PESO GRUPPO<br>COMPLETO<br>POWER UNIT<br>WEIGHT |       |
|---|--------------------------|---|---------------|-------------------------------------|------|------|------|-----------------------|--------|-----------------|------|---|-------|
| GRUPPO<br>ELETTROPOMPA<br>POWER UNIT<br>(A) | BASAMENTO<br>BASE<br>(B) | GRUPPO<br>COMPLETO<br>COMPLETE<br>POWER UNIT<br>(A+B) |               | 50Hz - 400V                         | kW   | A    |      | BAR                   | P.S.I. | L/min           | GPM  | Kg  | LBS   |
| 73.9103.97.3                                | 73.9502.97.3             | 73.9203.97.3  | CK 2216.1     | 160L 4 POLI                         | 15   | 29.5 | 1450 | 100                   | 1450   | 63              | 16.6 | 270   | 594   |
| 73.9106.97.3                                | 73.9500.97.3             | 73.9206.97.3  | CK 2216.1     | 180L 4 POLI                         | 22   | 42.0 | 1450 | 150                   | 2175   | 63              | 16.6 | 326   | 717   |
| 73.9104.97.3                                | 73.9500.97.3             | 73.9204.97.3  | CK 2220.1     | 180M 4 POLI                         | 18.5 | 35.0 | 1450 | 100                   | 1450   | 80              | 21.1 | 312   | 686   |
| 73.9107.97.3                                | 73.9501.97.3             | 73.9207.97.3  | CK 2220.1     | 200L 4 POLI                         | 30   | 56.6 | 1450 | 150                   | 2175   | 80              | 21.1 | 382   | 840.4 |
| 73.9105.97.3                                | 73.9500.97.3             | 73.9205.97.3  | CKL 2226.1    | 180L 4 POLI                         | 22   | 42.0 | 1450 | 100                   | 1450   | 97              | 25.7 | 326   | 717   |
| 73.9108.97.3                                | 73.9501.97.3             | 73.9208.97.3  | CKL 2226.1    | 200L 4 POLI                         | 30   | 56.6 | 1450 | 150                   | 2175   | 97              | 25.7 | 382   | 840.4 |
| 73.9109.97.3                                | 73.9501.97.3             | 73.9209.97.3  | CKL 2233.1    | 200L 4 POLI                         | 30   | 56.6 | 1450 | 120                   | 1740   | 126             | 33.2 | 382   | 840.4 |
| 73.9100.97.3                                | 73.9501.97.3             | 73.9200.97.3  | CK 1224.1     | 200L 6 POLI                         | 18.5 | 37.3 | 975  | 80                    | 1160   | 97              | 25.7 | 371   | 816   |
| 73.9101.97.3                                | 73.9501.97.3             | 73.9201.97.3  | CK 1229.1     | 200L 6 POLI                         | 22   | 43.9 | 975  | 80                    | 1160   | 124             | 32.7 | 380   | 836   |
| 73.9102.97.3                                | 73.9501.97.3             | 73.9202.97.3  | CK 1235.1     | 200L 6 POLI                         | 22   | 43.9 | 975  | 70                    | 1015   | 150             | 39.7 | 380   | 836   |