

# Power Unit CK 3003

## PU CK 2220.1-100



80 l/m  
21.1 USGPM



max 100 BAR  
1450 P.S.I.

### APPLICAZIONI - APPLICATIONS



ANTINCENDIO  
FIRE PREVENTION



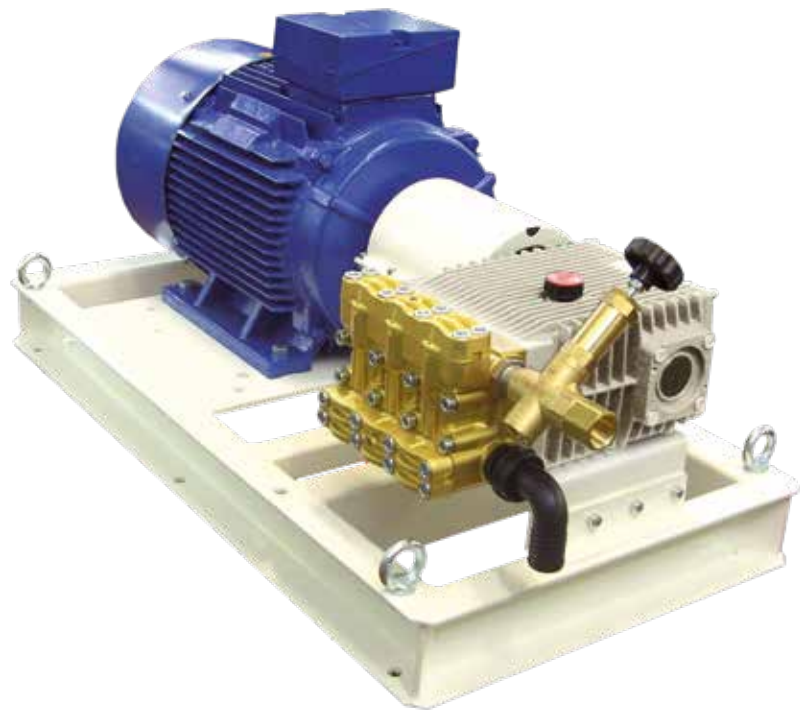
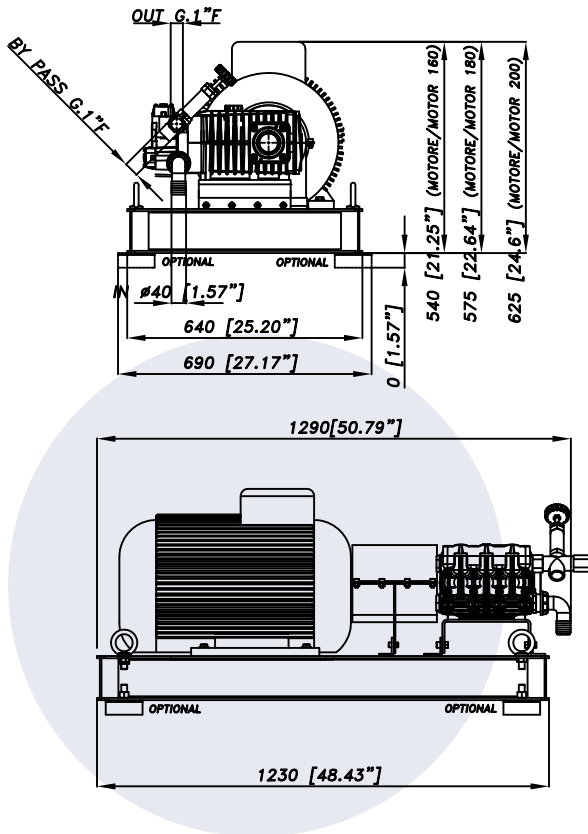
INSTALLAZIONI NAVALI  
NAVAL INSTALLATIONS



PROCESSI INDUSTRIALI  
INDUSTRIAL PROCESSES



INSTALLAZIONI AEREOPORTUALI  
AIRPORT INSTALLATIONS



### CARATTERISTICHE TECNICHE SPECIFICATIONS

<b>Peso - Weight</b>	<b>65 Kg</b>	143 lb
<b>Misure - Size</b>	<b>1230x640mm</b>	48.43"x25.20" in
<b>IN</b>	<b>1" 1/2 BSP</b>	
<b>Pressione Min - Min Pressure</b>	<b>-0,2 BAR</b>	-3 P.S.I.
<b>Pressione Max - Max Pressure</b>	<b>6 BAR</b>	87 P.S.I.
<b>OUT</b>	<b>3/4 BSP</b>	
<b>Valvola fuori - Valve out</b>	<b>1" BSP</b>	
<b>Valvola by-pass - Valve by-pass</b>	<b>1" BSP</b>	
<b>Max. Temperatura - Max. Temperature</b>	<b>60 °C</b>	140 °F
<b>Tipo olio - Oil type</b>	<b>SAE 75 - W 90</b>	
<b>Capacità olio - Oil capacity</b>	<b>2,8 lt</b>	0.74 U.S.G.

TABELLA RENDIMENTI  
PERFORMANCE CHART

CODICI CODES			POMPA PUMP	MOTORE TRIFASE THREE-PHASE MOTOR			RPM	PRESSIONE PRESSURE		PORTATA FLOW		PESO GRUPPO COMPLETO POWER UNIT WEIGHT	
GRUPPO ELETTROPOMPA POWER UNIT (A)	BASAMENTO BASE (B)	GRUPPO COMPLETO COMPLETE POWER UNIT (A+B)		50Hz - 400V	kW	A		BAR	P.S.I.	L/min	GPM	Kg	LBS
73.9103.97.3	73.9502.97.3	73.9203.97.3	CK 2216.1	160L 4 POLI	15	29.5	1450	100	1450	63	16.6	270	594
73.9106.97.3	73.9500.97.3	73.9206.97.3	CK 2216.1	180L 4 POLI	22	42.0	1450	150	2175	63	16.6	326	717
73.9104.97.3	73.9500.97.3	73.9204.97.3	CK 2220.1	180M 4 POLI	18.5	35.0	1450	100	1450	80	21.1	312	686
73.9107.97.3	73.9501.97.3	73.9207.97.3	CK 2220.1	200L 4 POLI	30	56.6	1450	150	2175	80	21.1	382	840.4
73.9105.97.3	73.9500.97.3	73.9205.97.3	CKL 2226.1	180L 4 POLI	22	42.0	1450	100	1450	97	25.7	326	717
73.9108.97.3	73.9501.97.3	73.9208.97.3	CKL 2226.1	200L 4 POLI	30	56.6	1450	150	2175	97	25.7	382	840.4
73.9109.97.3	73.9501.97.3	73.9209.97.3	CKL 2233.1	200L 4 POLI	30	56.6	1450	120	1740	126	33.2	382	840.4
73.9100.97.3	73.9501.97.3	73.9200.97.3	CK 1224.1	200L 6 POLI	18.5	37.3	975	80	1160	97	25.7	371	816
73.9101.97.3	73.9501.97.3	73.9201.97.3	CK 1229.1	200L 6 POLI	22	43.9	975	80	1160	124	32.7	380	836
73.9102.97.3	73.9501.97.3	73.9202.97.3	CK 1235.1	200L 6 POLI	22	43.9	975	70	1015	150	39.7	380	836